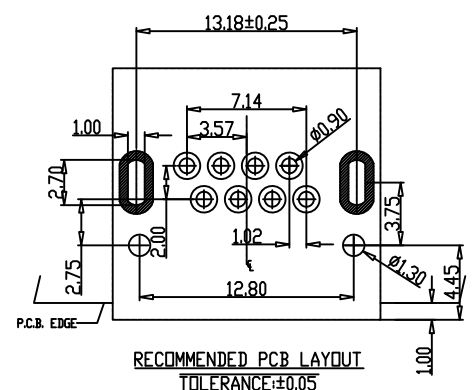
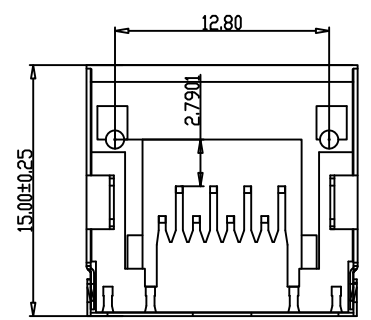
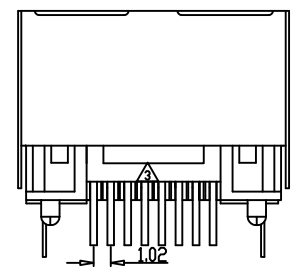
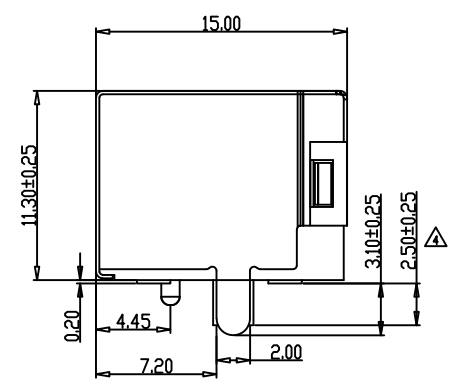
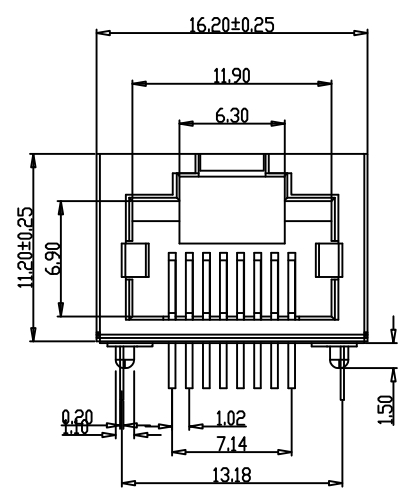


RoHS compliant



NOTES

MATERIAL

- 1. HOUSING MATERIAL : PBT/LCP/PA46 UL94V-0.
- 2. CONTACT MATERIAL : PHOSPHOR BRONZE \varnothing 0.46mm.
- 3. PLATING : GOLD PLATING OVER NICKEL.
- 4. SHIELD : FU", 3U", 6U", 15U", 30U", 50U".
- 5. DIELECTRIC RESISTANCE : 0.20mm THICKNESS COPPER ALLOY WITH NICKEL PLATED.

ELECTRICAL

- 1. VOLTAGE RATING : 125 VAC RMS.
- 2. CURRENT RATING : 1.5 AMP.
- 3. CONTACT RESISTANCE : 30 MILLIOHMS MAX.
- 4. INSULATION RESISTANCE : 500 MEGOHMS MIN @ 500V DC .
- 5. DIELECTRIC RESISTANCE : 1000V AC RMS 50Hz. 1MIN.

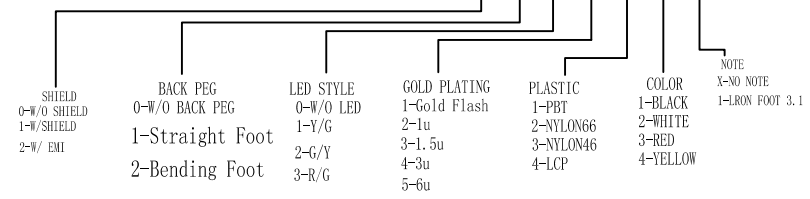
MECHANICAL

- 1. DURRABILITY : 750 CYCLES MIN.
- 2. PCB RETENTIONPRE-SOLDER : 1 LB MIN.

ENVIRONMENTAL:

- 1. STORAGE : -40°C~+85°C.
- 2. OPERATION : -40°C~+85°C.

P/N:RJ5JE-8811-120XX11



				GENERAL TOLERANCE		DR W	Gene Li	2015-07-12	UNIT	X-SHUN 东莞市祥舜电子科技有限公司 DONGGUAN X-SHUN ELECTRONICTECHNOLOGY CO., LTD	
				.X	±0.25	X.	° ± 2°		SCALE	1:1	TEL:+86 769 81885389 FAX:+86 769 81887859
				.XX	±0.20	.X.	° ± 1°		SHEET	1 OF 1	E-Mail:sales@x-shun.com Http:www.x-shun.com
0	NEW DESIGN		2015/07/12	.XXX	±0.10	.XX.	° ± 0.5°		PART NO.	RJ5JE-8811-120XX11	
RV	O	DESCRIPTION	D	PROJECT		DR WIG O		REV	0	TITLE	5JE 8P8C W/SHIELD W/O LED, F=3.1MM