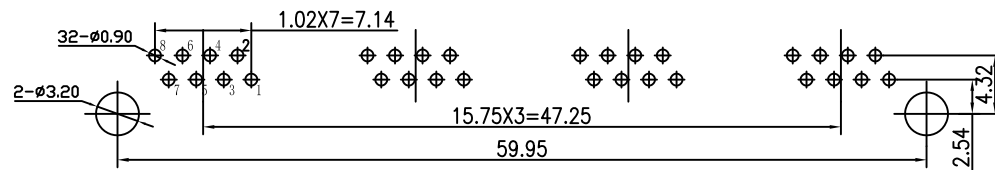
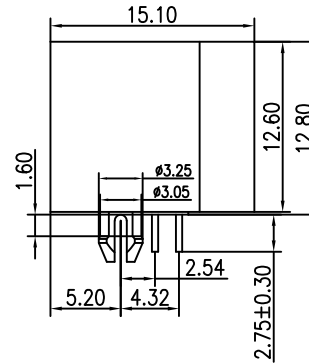
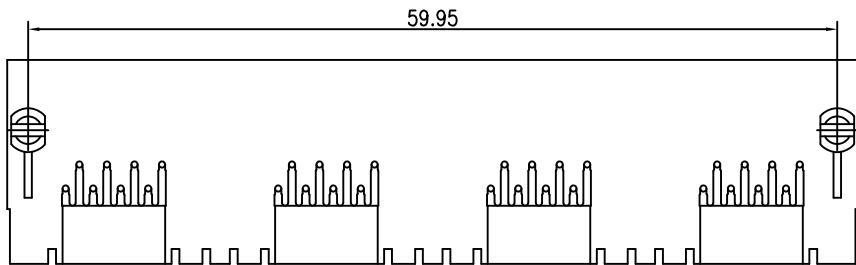
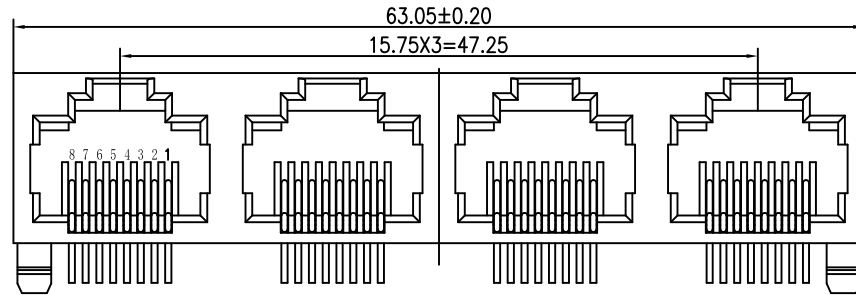


RoHS compliant



PC Board Layout

NOTES

MATERIAL

- 1. HOUSING MATERIAL : PBT, UL94V-0.
- 2. CONTACT MATERIAL : PHOSPHOR BRONZE $\phi 0.46\text{mm}$.
- 3. PLATING : GOLD PLATING OVER NICKEL.
- : FU", 3U", 6U", 15U", 30", 50".

ELECTRICAL

- 1. VOLTAGE RATING : 125 VAC RMS.
- 2. CURRENT RATING : 1.5 AMP.
- 3. CONTACT RESISTANCE : 30 MILLIOHMS MAX.
- 4. INSULATION RESISTANCE : 500 MEGOHMS MIN @ 500V DC .
- 5. DIELECTRIC RESISTANCE : 1000V AC RMS 50Hz. 1MIN.

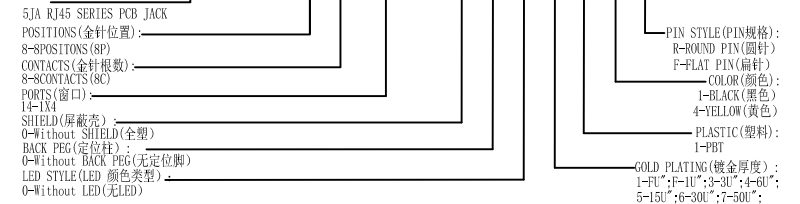
MECHANICAL

- 1. DURRABILITY : 750 CYCLES MIN.
- 2. PCB RETENTIONPRE-SOLDER : 1 LB MIN.

ENVIRONMENTAL:

- 1. STORAGE : -40°C ~ +85°C.
- 2. OPERATION : -40°C ~ 85°C.

P/N:RJ5JA-8814-000XXXR



| | | | | | | | | | | | | | | | | |
|-----|--------|-------------|------|-------------------|---------|------------|------|---------|-------|------------|-------|--|-----|----------------------------|-------------|-----------|
| | | | | GENERAL TOLERANCE | | DRAWN | | Gene Li | | 2016/12/08 | | 东莞市祥舜电子科技有限公司 DONGGUAN X-SHUN ELECTRONIC TECHNOLOGY CO., LTD | | | | |
| | | | | .X | ±0.35 | X.° | ± 2° | CHECKE | | SC | | | | | | PART NO. |
| A0 | | | | NEW DESIGN | | 2016/12/08 | | APPROVE | | | | TITLE: | | 5JA RJ45 8P8C 1X4 PCB JACK | | |
| REV | ECN NO | DESCRIPTION | DATE | SIGNATURE | PROJECT | | UNIT | mm | SCALE | 1:1 | SHEET | 1/1 | REV | A0 | DRAWING NO. | R-H5JA-13 |