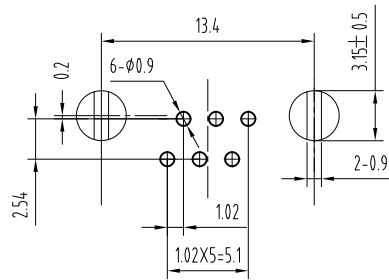
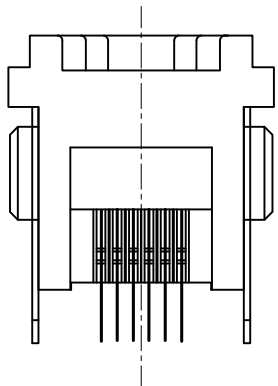
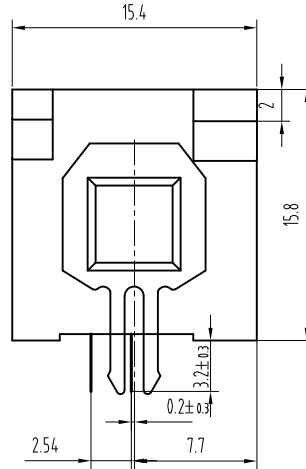
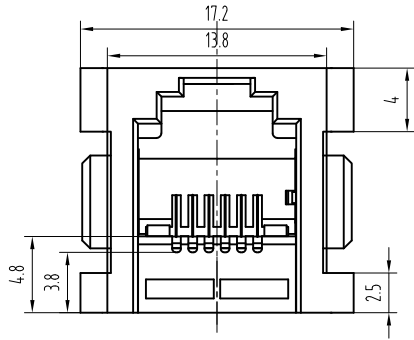


RoHS compliant



PC Board Layout
Component Side Shown

NOTES:

MATERIAL :

- 1.HOUSING MATERIAL :GLASS FILLED POLYESTER UL94V-0.
- 2.CONTACT MATERIAL :PHOSPHOR BRONZE φ0.45mm.
- 3.PLATING :GOLD PLATING Fv" 50u" OVER NICKEL.

ELECTRICAL:

- 1.VOLTAGE RATING :125 VAC RMS.
- 2.CURRENT RATING :1.5 AMP.
- 3.CONTACT RESISTANCE :30 MILLIOHMS MAX.
- 4.INSULATION RESISTANCE :500 MEGOHMS MIN @ 500V DC .
- 5.DIELECTRIC WITHSTANDING RESISTANCE :1000V AC RMS 50Hz. 1MIN.

MECHANICAL:

- 1.DURRABILITY :750 CYCLES MIN.
- 2.PCB RETENTION PRE-SOLDER :1 LB MIN.

ENVIRONMENTAL:

- 1. STORAGE : -40°C~+85°C
- 2. OPERATION : 0°C TO 70°C.

PN:RJ52B-6612-1211X1X

COLOR
1-BLACK
6-GRAY

NOTE
X-NOTE

				GENERAL TOLERANCE		DRAWN		Gene Li		2017/07/08		东莞市祥舜电子科技有限公司 DONGGUAN X-SHUN ELECTRONIC TECHNOLOGY CO., LTD				
				.X ±0.35	X.° ± 2°	CHECKE		JS								PART NO. RJ52B-6612-1211X1X
A0				NEW DESIGN		2017/07/08						TITLE: 5225 1X1 6P6C 180° W/PEG PCB JACK				
REV	ECN NO	DESCRIPTION	DATE	SIGNATURE	PROJECT		UNIT	mm	SCALE	1:1	SHEET	1/1	REV	A0	DRAWING NO.	RJ52B-201