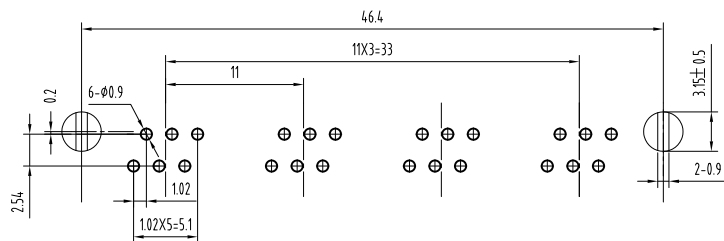
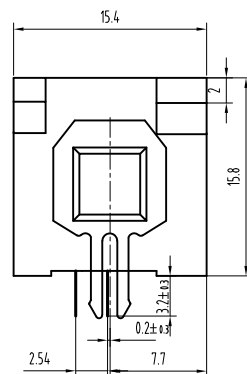
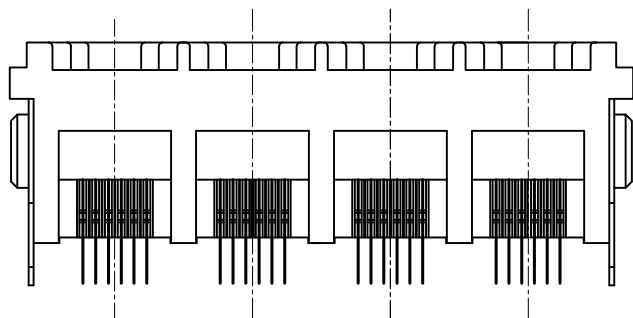
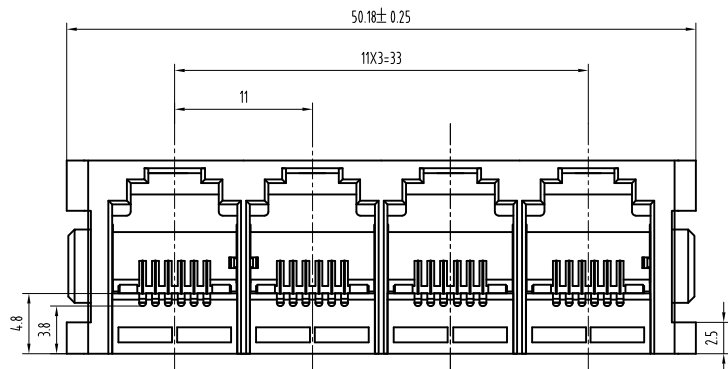


RoHS compliant



PC Board Layout
Component Side Shown

NOTES:

MATERIAL:

- | | |
|--------------------|--|
| 1.HOUSING MATERIAL | :GLASS FILLED POLYESTER UL94V-0. |
| 2.CONTACT MATERIAL | :PHOSPHOR BRONZE ϕ 0.45mm. |
| 3.PLATING | :GOLD PLATING $Fu \sim 50u''$ OVER NICKEL. |

ELECTRICAL:

- | | |
|--------------------------------------|------------------------------|
| 1.VOLTAGE RATING | :125 VAC RMS. |
| 2.CURRENT RATING | :15 AMP. |
| 3.CONTACT RESISTANCE | :30 MILLIOHMS MAX. |
| 4.INSULATION RESISTANCE | :500 MEGOHMS MIN @ 500V DC . |
| 5.DIELECTRIC WITHSTANDING RESISTANCE | :1000V AC RMS 50Hz. 1MIN. |

MECHANICAL:

- | | |
|----------------------------|------------------|
| 1.DURRABILITY | :750 CYCLES MIN. |
| 2.PCB RETENTION PRE-SOLDER | :1 LB MIN. |

ENVIRONMENTAL:

- | | |
|--------------|--------------------------------------|
| 1. STORAGE | : -40 $^{\circ}$ ~+85 $^{\circ}$ |
| 2. OPERATION | : 0 $^{\circ}$ C TO 70 $^{\circ}$ C. |

PART NUMBER:

				GENERAL TOLERANCE		DRAWN	Gene Li	2016/11/23	UNIT	MM	东莞市祥舜电子科技有限公司 DONGGUAN X-SHUN ELECTRONIC TECHNOLOGY CO., LTD TEL:+86 769 81885389 FAX:+86 769 81887859 E-Mail:sales@x-shun.com Http:www.x-shun.com	
				.X \pm 0.25	X. $^{\circ}$ \pm 2 $^{\circ}$	CHECKE	JS		SCALE	1:1		
A0		NEW DESIGN	2016/11/23			APPROVE			SHEET	1 OF 1	PART NO.	RJ52B-6614-121111X
REV	ECN NO	DESCRIPTION	DATE	SIGNATURE	PROJECT	DRAWING NO			REV	A0	TITLE	5225-6P6C-1X4-180 $^{\circ}$ 铁脚