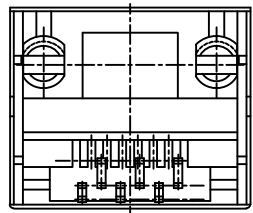
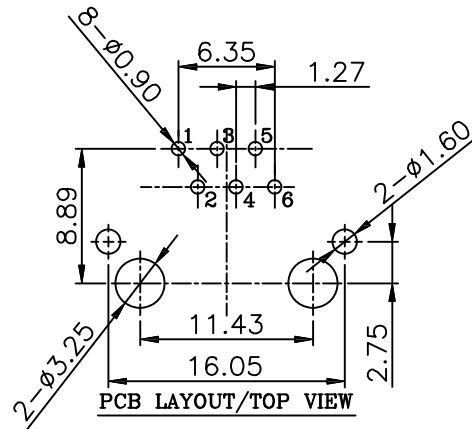
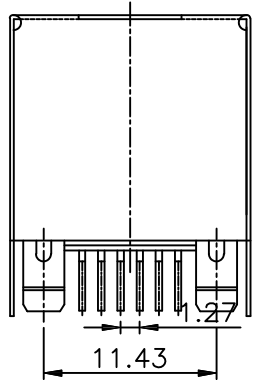
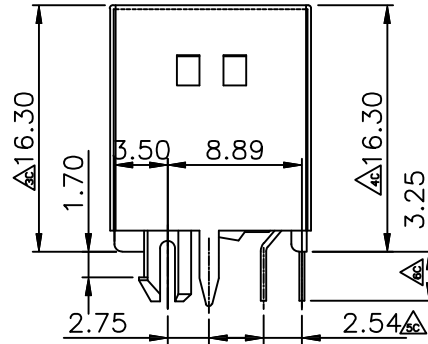
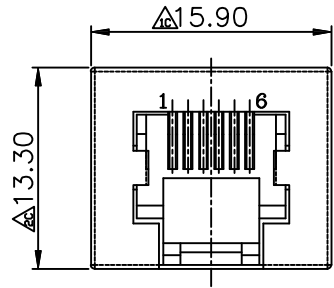


RoHS compliant



**MATERIALS:**

PLASTIC HOUSING: ENGINEERING THERMOPLASTIC  
FLAMMABILITY RATING UL 94V-0.

CONTACTS: PHOSPHOR BRONZE

PLATING: GOLD PLATING OVER NICKEL IN CONTACT.  
TIN PLATING OVER NICKEL IN SOLDER AREA.

SHIELDED: BRASS WITH NICKEL PLATED

**Electrical:**

- 1.Voltage Rating:125 Vac Rms.
- 2.Current Rating:1.5 Amp.
- 3.Contact Resistance:40 Milliohms Max.
- 4.Insulation Resistance:1000 Megohms Min @500 Vdc.
- 5.Dielectric Strength:1000 Vac Rms 60Hz, 1Min.

**Mechanical:**

- 1.Operating:750 Cycles Min.

**Environmental:**

- 1.Storage:-40°C To +85°C.
- 2.Opertion:-20°C To +75°C.

P/N:RJ52G-6611-102XXXX

GOLD PLATING	PLASTIC	COLOR	NOTE
1-Gold Flash	1-PBT	1-BLACK	X-No Note
2-1u	2-NYLON66	2-WHITE	
3-1.5u	3-NYLON46	3-RED	
4-3u		4-YELLOW	
5-6u			

				GENERAL TOLERANCE		DRAWN	<i>Sene Li</i>	2018/11/17	UNIT	MM	<b>X-SHUN</b> 东莞市祥舜电子科技有限公司 DONGGUAN X-SHUN ELECTRONICTECHNOLOGY CO., LTD TEL:+86 769 81885389 FAX:+86 769 81887859 E-Mail:sales@x-shun.com Http:www.x-shun.com	
				.X ±0.35	X.° ± 2°	CHECKE	JII		SCALE	1:1		
				.XX ±0.25	.X° ± 1°	APPROVE			SHEET			
				.XXX ±0.15	.XX° ± 0.5°				PART NO.	RJ52G-6611-102511X		
REV	ECN NO	DESCRIPTION	DATE	SIGNATURE	PROJECT	DRAWING NO			REV	A0	TITLE	TOP ENTRY PCB JACK Tiny shielded(Red Base)