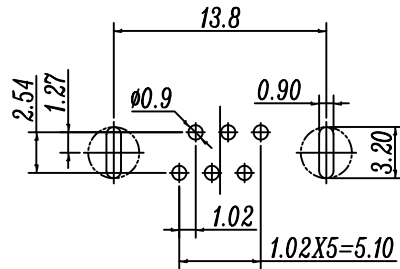
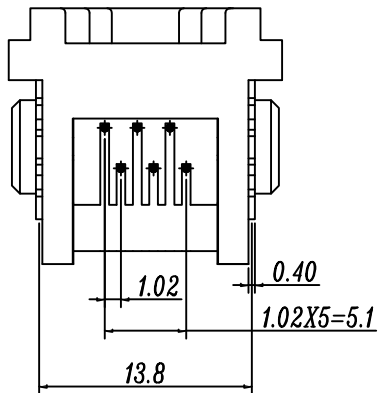
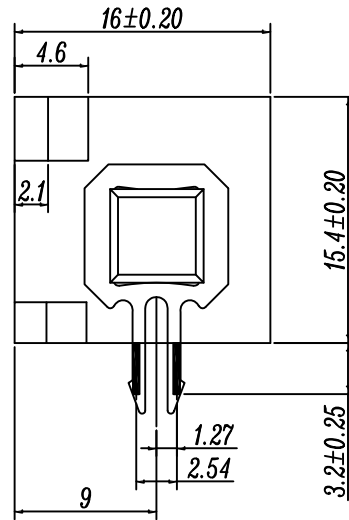
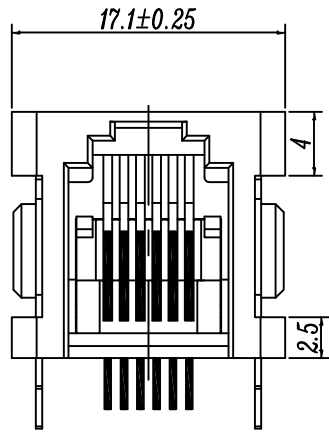


RoHS compliant



PC Board Layout
Top View

NOTES:

MATERIAL

- 1. HOUSING MATERIAL : GLASS FILLED POLYESTER UL94V-0.
- 2. CONTACT MATERIAL : PHOSPHOR BRONZE $\phi 0.45\text{mm}$.
- 3. PLATING : GOLD PLATING OVER NICKEL.
FU", 3U", 6U", 15U", 30U", 50U"

ELECTRICAL:

- 1. VOLTAGE RATING : 125 VAC RMS.
- 2. CURRENT RATING : 1.5 AMP.
- 3. CONTACT RESISTANCE : 30 MILLIOHMS MAX.
- 4. INSULATION RESISTANCE : 500 MEGOHMS MIN @ 500V DC .
- 5. DIELECTRIC WITHSTANDING RESISTANCE : 1000V AC RMS 50Hz, 1MIN.

MECHANICAL:

- 1. DURRABILITY : 750 CYCLES MIN.
- 2. PCB RETENTION PRE-SOLDER : 1 LB MIN.

ENVIRONMENTAL:

- 1. STORAGE : -40°C TO 85°C.
- 2. OPERATION : -40°C TO 85°C.

P/N: RJ52B-6611-11XXX1X

- GOLD PLATING
 - 1-Gold Flash
 - 2-1u
 - 3-1.5u
 - 4-3u
 - 5-6u
- PLASTIC
 - 1-PBT
 - 2-NY66
 - 3-NY46
- COLOR
 - 1-BLACK
 - 2-WHITE
 - 3-RED
 - 4-YELLOW
- NOTE X-NOTE

| REV | ECN NO | DESCRIPTION | DATE | SIGNATURE | PROJECT | UNIT | mm | SCALE | 1:1 | SHEET | 1/1 | REV | A0 | DRAWING NO. | RJ52B-01 |
|------------------------|--------|-------------|------------|-----------|---------|---------|----|---------|-----|------------|-----|--|----|-------------|----------|
| A0 | | NEW DESIGN | 2017/07/08 | | | | | | | | | | | | |
| GENERAL TOLERANCE | | | | | | DRAWN | | Gene Li | | 2017/07/08 | | X-SHUN 东莞市祥舜电子科技有限公司 DONGGUAN X-SHUN ELECTRONIC TECHNOLOGY CO., LTD | | | |
| .X ±0.35 X.° ± 2° | | | | | | CHECKE | | JS | | | | PART NO. RJ52B-6611-11XXX1X | | | |
| .XX ±0.25 .X° ± 1° | | | | | | APPROVE | | | | | | TITLE: 5225 1X1 6P6C 90° W/PEG PCB JACK | | | |
| .XXX ±0.15 .XX° ± 0.5° | | | | | | | | | | | | | | | |