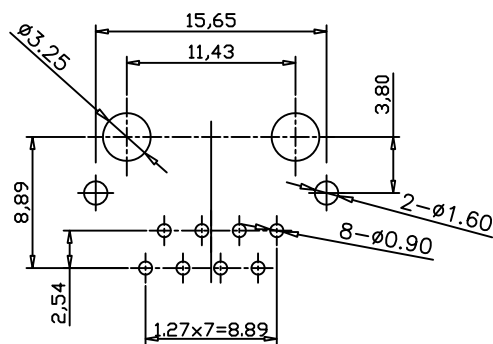
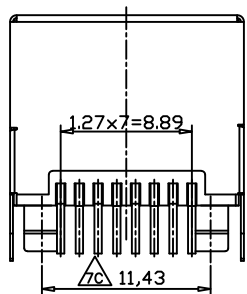
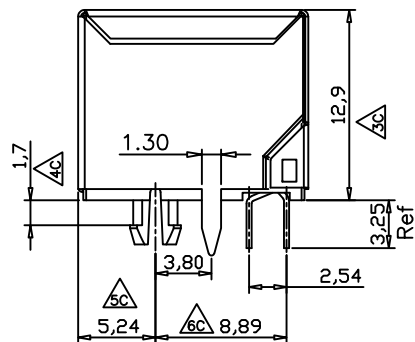
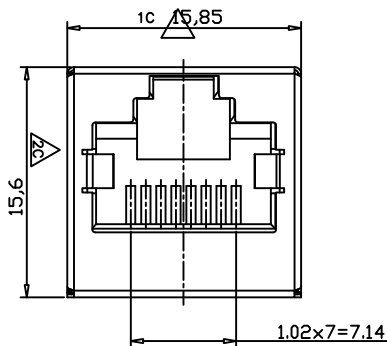


RoHS compliant



PCB LAYOUT/TOP VIEW

**MATERIALS:**

PLASTIC HOUSING: ENGINEERING THERMOPLASTIC  
FLAMMABILITY RATING UL 94V-0.

CONTACTS: PHOSPHOR BRONZE

PLATING: GOLD PLATING OVER NICKEL IN CONTACT.  
TIN PLATING OVER NICKEL IN SOLDER AREA.

SHIELDED: BRASS WITH NICKEL PLATED

**Electrical:**

- 1.Voltage Rating:125 Vac Rms.
- 2.Current Rating:1.5 Amp.
- 3.Contact Resistance:40 Milliohms Max.
- 4.Insulation Resistance:1000 Megohms Min @500 Vdc.
- 5.Dielectric Strength:1000 Vac Rms 60Hz, 1Min.

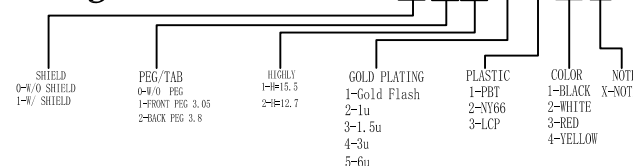
**Mechanical:**

1.Operating:750 Cycles Min.

**Environmental:**

- 1.Storage:-40°C To +85°C.
- 2.Operion:-40°C To +85°C.

P/N:RJ52F-8811-122511X



GENERAL TOLERANCE

.X	±0.35	X.°	± 2°
.XX	±0.25	.X.°	± 1°
.XXX	±0.15	.XX°	± 0.5°

DRAWN

Gene Li

CHECKE

APPROVE

**X-SHUN** 东莞市祥舜电子科技有限公司  
DONGGUAN X-SHUN ELECTRONIC TECHNOLOGY CO., LTD

PART NO. RJ52F-8811-122511X

TITLE: RJ45 8P8C 180° H=12.7MM W/SHIELD PCB JACK

REV A0 DRAWING NO. RJ52F-081



UNIT mm SCALE 1:1 SHEET

A

A