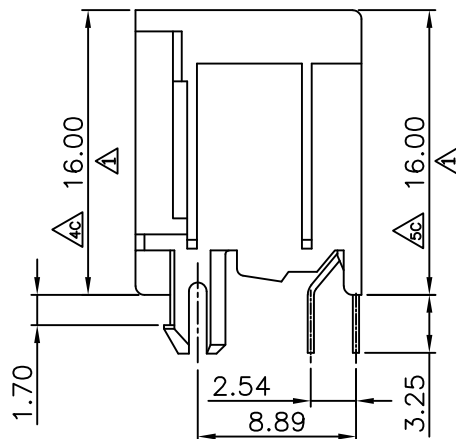
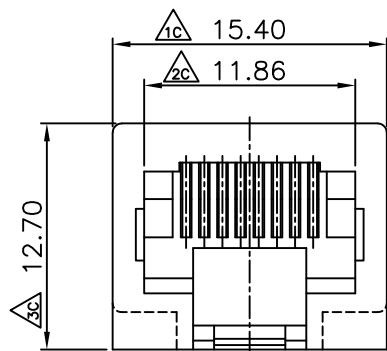


RoHS compliant



MATERIALS:

PLASTIC HOUSING: ENGINEERING THERMOPLASTIC
FLAMMABILITY RATING UL 94V-0.

CONTACTS: PHOSPHOR BRONZE

PLATING: GOLD PLATING OVER NICKEL IN CONTACT.

TIN PLATING OVER NICKEL IN SOLDER AREA.

Electrical:

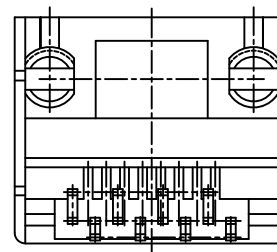
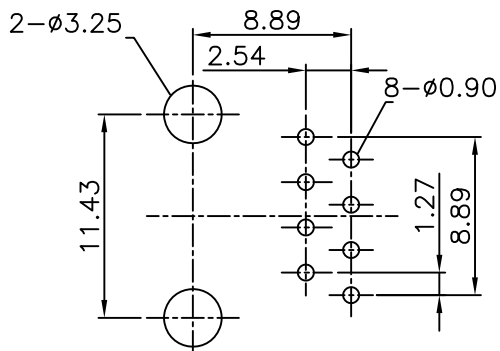
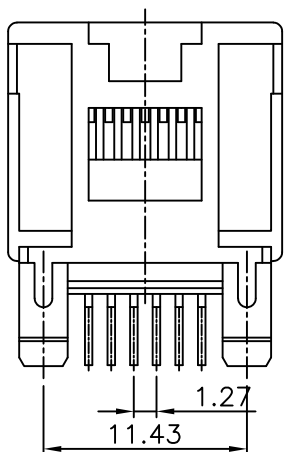
- 1.Voltage Rating:125 Vac Rms.
- 2.Current Rating:1.5 Amp.
- 3.Contact Resistance:40 Milliohms Max.
- 4.Insulation Resistance:1000 Megohms Min @500 Vdc
- 5.Dielectric Strength:1000 Vac Rms 60Hz, 1Min.

Mechanical:

1.Operating:750 Cycles Min.

Environmental:

- 1.Storage:-40°C To +85°C.
- 2.Operion:-20°C To +75°C.



P/N: RJ52G-8811-002XXXX

| | | | |
|--------------|-----------|----------|-----------|
| GOLD PLATING | PLASTIC | COLOR | NOTE |
| 1-Gold Flash | 1-PBT | 1-BLACK | X=NO Note |
| 2-1u | 2-NYLON66 | 2-WHITE | |
| 3-1.5u | 3-NYLON46 | 3-RED | |
| 4-3u | | 4-YELLOW | |
| 5-6u | | | |

| | | | | | | | | | | | | |
|-----|--------|-------------|------------|-------------------|----------|------------|----------------|------------|-------|--------|--|--------------------------|
| | | | | GENERAL TOLERANCE | | DRAWN | <i>Sene Li</i> | 2018-11-11 | UNIT | MM | X-SHUN 东莞市祥舜电子科技有限公司 DONGGUAN X-SHUN ELECTRONICTECHNOLOGY CO., LTD TEL:+86 769 81885389 FAX:+86 769 81887859 E-Mail:sales@x-shun.com Http:www.x-shun.com | |
| | | | | .X ±0.25 | X.° ± 2° | CHECKE | JH | | SCALE | 1:1 | | |
| A0 | | NEW DESIGN | 2018/11/11 | | | APPROVE | | | SHEET | 1 OF 1 | PART NO. | RJ52G-8811-002XXXX |
| REV | ECN NO | DESCRIPTION | DATE | SIGNATURE | PROJECT | DRAWING NO | | | REV | A0 | TITLE | TOP ENTRY PCB JACK(8P8C) |