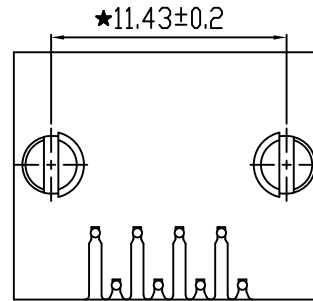
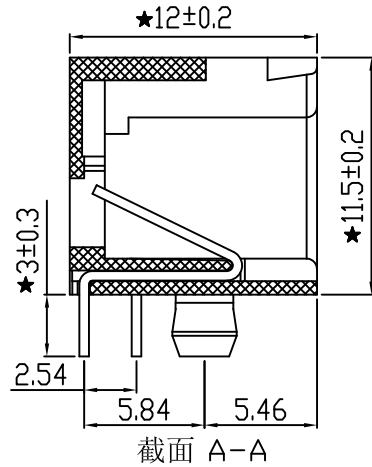
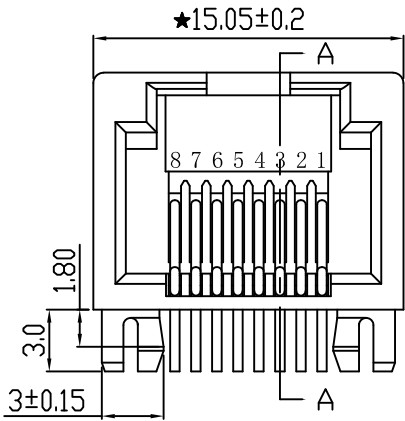


RoHS compliant



NOTES:

ELECTRICAL:

- VOLTAGE RATING: 125V AC.
- CURRENT RATING: 1.5A.
- CONTACT RESISTANCE: 30 mΩ MAX.
- INSULATION RESISTANCE: 500 MΩ MIN @ 500V DC.
- DIELECTRIC STRENGTH: 1000V AC 50Hz or 60Hz, 1MIN.

MECHANICAL:

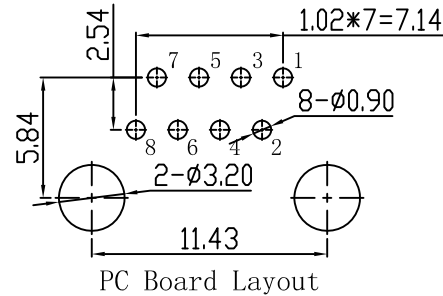
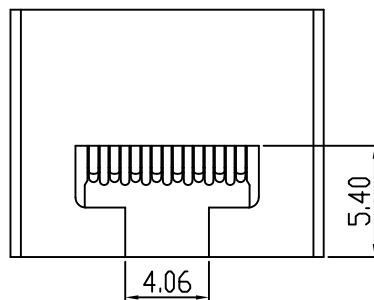
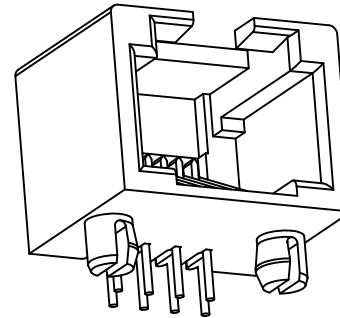
- INSERT MATERIAL: UL94V-0.
- CONTACT MATERIAL: DIAMETER 0.46mm C51000(QSn4-0.3)PHOSPHOR BRONZE GOLD PLATING OVER NICKEL.
- MATING/UNMATING FORCE: 2.2KG.F MAX.
- RETENTION STRENGTH: 3.0KG.F MIN BETWEEN JACK AND PLUG.
- OPERATING LIFE: 750 CYCLES MIN.

ENVIRONMENTAL:

- STORAGE: -40°C ~ +85°C RELATIVE HUMIDITY<70%.
- OPERATION: -40°C ~ +85°C.

Remark:

- The mark with★ is the key inspection dimension for QC



PART NUMBER:

P/N 料号	DESCRIPTION 描述	MATER COLOR 材质
RJ53C-8811-201111-A	5324 MINI 1X1 8P8C B型 PCB厚度=1.6MM 电镀GF	PBT BLACK 黑
RJ53C-8811-201115-A	5324 MINI 1X1 8P8C B型 PCB厚度=1.6MM 电镀GF	PBT ORANGE 橙
RJ53C-8811-201114-A	5324 MINI 1X1 8P8C B型 PCB厚度=1.6MM 电镀GF	PBT YELLOW 黄
RJ53C-8811-201117-A	5324 MINI 1X1 8P8C B型 PCB厚度=1.6MM 电镀GF	PBT BLUE 蓝

REV	ECN NO	DESCRIPTION	DATE	SIGNATURE	PROJECT	UNIT	mm	SCALE	1:1	SHEET
A1		水晶头扣位结构加R0.5, 增加强度	2020.08.24		GENERAL TOLERANCE	DRAWN				
A0		NEW DESIGN	2020.08.24		.X ±0.35 X.° ±2°	CHECKE				
					.XX ±0.25 .X° ±1°	APPROVE				
					.XXX ±0.15 .XX° ±0.5°					

**X-SHUN** 东莞市祥舜电子科技有限公司  
DONGGUAN X-SHUN ELECTRONIC TECHNOLOGY CO., LTD

PART NO. SEE TABLE

TITLE: 5324 MINI 1X1 8P8C A型(板厚1.6mm)

REV A0 DRAWING NO. RJ53C-07