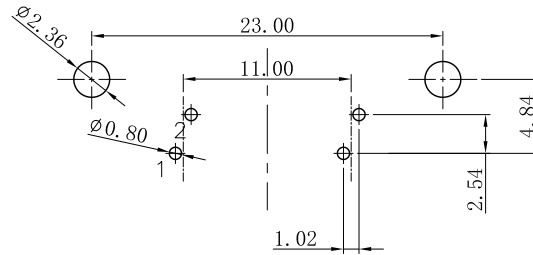
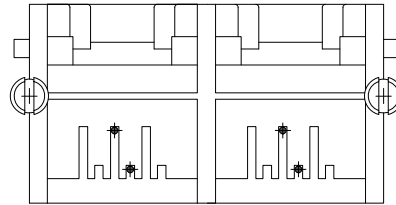
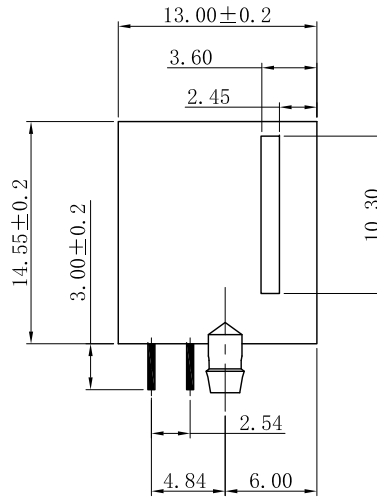
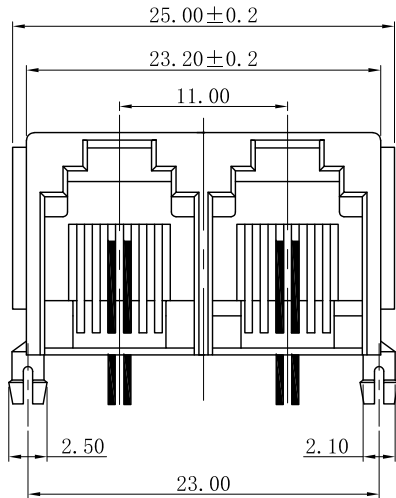
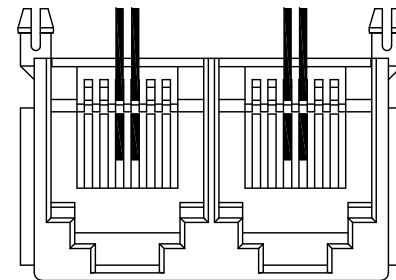


RoHS compliant



PC Board Layout
Component Side Shown



NOTES

MATERIAL

- 1. HOUSING MATERIAL : PBT, PA66, PA46 (UL 94V-0)
- 2. CONTACT MATERIAL : PHOSPHOR BRONZE $\phi 0.46\text{mm}$.
- 3. PLATING : GOLD PLATING OVER NICKEL.
: FU", 3U", 6U", 15U", 30", 50".

ELECTRICAL

- 1. VOLTAGE RATING : 125 VAC RMS.
- 2. CURRENT RATING : 1.5 AMP.
- 3. CONTACT RESISTANCE : 30 MILLIOHMS MAX.
- 4. INSULATION RESISTANCE : 500 MEGOHMS MIN @ 500V DC .
- 5. DIELECTRIC DIELECTRIC RESISTANCE : 1000V AC RMS 50Hz. 1MIN.

MECHANICAL

- 1. DURRABILITY : 750 CYCLES MIN.
- 2. PCB RETENTIONPRE-SOLDER : 1 LB MIN.

ENVIRONMENTAL:

- 1. STORAGE : $-40^{\circ}\text{C} \sim +85^{\circ}\text{C}$.
- 2. OPERATION : $0^{\circ}\text{C} \sim +70^{\circ}\text{C}$.

PART NUMBER:

P/N 料号	DESCRIPTION 描述	MATER COLOR 材质	GOLD PLATING 电镀
RJ55A-6212-11112	5521 1X2 6P2C 90° W/EAR PCB JACK	PBT BLACK 黑	FU"
RJ55A-6212-11122	5521 1X2 6P2C 90° W/EAR PCB JACK	PBT BLACK 灰	FU"
RJ55A-6212-14112	5521 1X2 6P2C 90° W/EAR PCB JACK	PBT BLACK 黑	3U"

REV	ECN NO	DESCRIPTION	DATE	SIGNATURE	PROJECT	DRAWING NO	REV	A0	TITLE			
A2		增加电镀黑色电镀3U的规格	2022/10/25		GENERAL TOLERANCE	DRAWN	<i>Sene Li</i>	2020/11/21	UNIT	MM	X-SHUN 东莞市祥舜电子科技有限公司 DONGGUAN X-SHUN ELECTRONICTECHNOLOGY CO., LTD TEL:+86 769 81885389 FAX:+86 769 81887859 E-Mail:sales@x-shun.com Http:www.x-shun.com	
A1		变更料号, 从原来RJ55C系列改成RJ55A	2022/10/15		.X ± 0.35 X. $^{\circ} \pm 2^{\circ}$	CHECKE	HLL		SCALE	1:1		
A0		NEW DESIGN	2020/11/21		.XX ± 0.25 .X. $^{\circ} \pm 1^{\circ}$	APPROVE			SHEET			
					.XXX ± 0.15 .XX. $^{\circ} \pm 0.5^{\circ}$	DRAWING NO			REV	A0		
											PART NO.	SEE TABLE
											TITLE	5521 1X2 6P2C 90° W/EAR PCB JACK