

RoHS compliant

PRODUCT SPECIFICATION

ELECTRICAL:

1. INSULATION RESISTANCE: 500 MEGOHMS MIN @ 500V DC
2. DIELECTRIC WITHSTANDING RESISTANCE: 1000V AC RMS 50HZ. 1MIN
3. CONTACT RESISTANCE: 50 MILLIOHMS MAX
4. VOLTAGE RATING: 125 VAC RMS
5. CURRENT RATING: 1.5 AMP

MECHANICAL:

1. DURRABILIIY: 750 CYCLES MIN
2. PCB RETENTION PRE-SOLDER: 1 LB MIN

ENVIRONMENTAL:

1. STORAGE: -40-85°C
2. OPERATION: 0-70°C
3. HUMIDITY: <80%

MATERIAL:

1. HOUSINGS: PA9T UL94V-0
2. CONTACTS:  $\varnothing 0.46$ mm PHOSPHOR BRONZE, GOLD PLATING OVER NICKEL
3. SHIELD: COPPER ALLOY 0.20mm THICKNESS PLATING NI

P/N: RJ55D-8811-02111X

CONTACTS (金针根数):

1-1. 2. 3. 6 PIN; 8-8CONTACTS (8C)

GOLD PLATING (镀金厚度):

1-FU"; 2-1U"; 3-1.5U"; 4-3U";

5-6U"; 6-15U";

PLASTIC (塑料):

1-PBT;

2-NYLON66 (尼龙66);

3-NYLON46 (尼龙46)

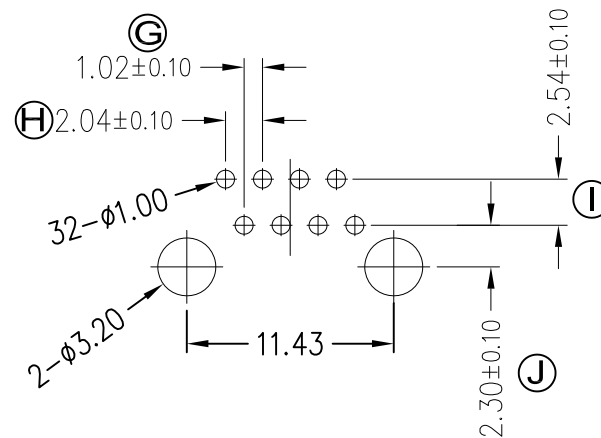
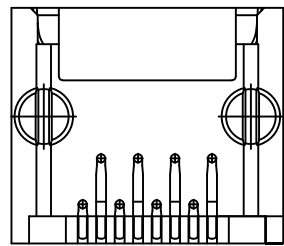
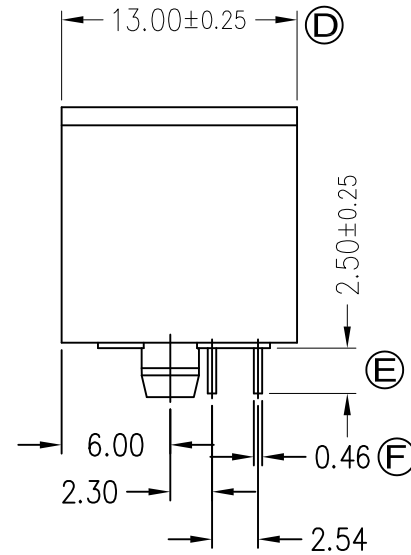
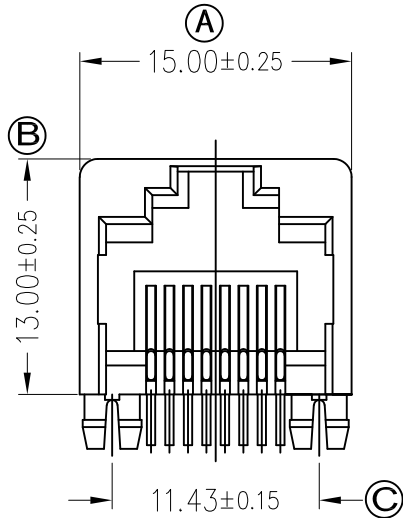
COLOR (颜色):

1-BLACK (黑色); 2-WHITE (白色); 3-RED (红色);

4-YELLOE (黄色); 5-BLUE (蓝色); 6-GREEN (绿色)

NOTE (备注):

X-NO NOTE



PC Board Layout

				GENERAL TOLERANCE		DRAWN		UNIT		MM		X-SHUN 东莞市祥舜电子科技有限公司	
				.X ±0.35	X.° ± 2°	Gene Li		2016-03-12		SCALE		DONGGUAN X-SHUN ELECTRONIC TECHNOLOGY CO., LTD	
				.XX ±0.25	.X° ± 1°	YZ				1:1		TEL:+86 769 81885389 FAX:+86 769 81887859	
				.XXX ±0.15	.XX° ± 0.5°	APPROVE				SHEET		E-Mail:sales@x-shun.com Http:www.x-shun.com	
				PROJECT		DRAWING NO		REV		A0		PART NO.	
				PROJECT		DRAWING NO		REV		A0		TITLE	
A0		NEW DESIGN	2016-03-12									RJ55D-8811-02111X	
REV	ECN NO	DESCRIPTION	DATE	SIGNATURE								5524-1X1 8P8C JACK	