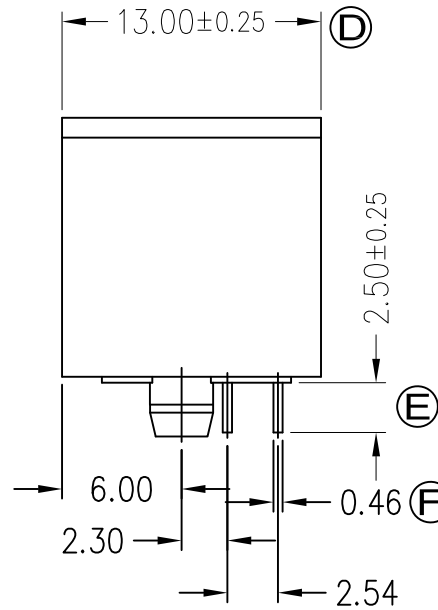
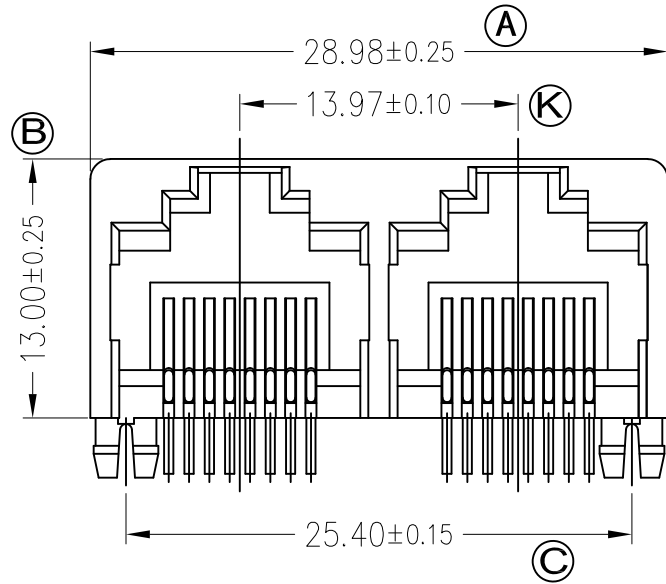


RoHS compliant

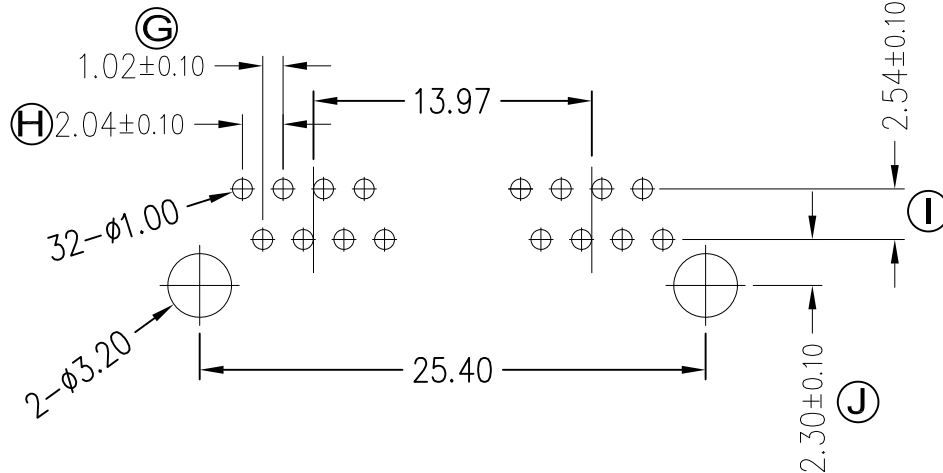


P/N: RJ55D-8812-02111X

CONTACTS (金针根数): 8
 1-1. 2. 3. 6 PIN; 8-8CONTACTS (8C)
 GOLD PLATING (镀金厚度):
 1-FU"; 2-1U"; 3-1.5U"; 4-3U";
 5-6U"; 6-15U";
 PLASTIC (塑料):
 1-PBT;
 2-NYLON66 (尼龙66);
 3-NYLON46 (尼龙46)
 COLOR (颜色):
 1-BLACK (黑色); 2-WHITE (白色); 3-RED (红色);
 4-YELLOW (黄色); 5-BLUE (蓝色); 6-GREEN (绿色)
 NOTE (备注):
 X-NO NOTE

PRODUCT SPECIFICATION

- ELECTRICAL:
- INSULATION RESISTANCE: 500 MEGOHMS MIN @ 500V DC
 - DIELECTRIC WITHSTANDING RESISTANCE: 1000V AC RMS 50HZ. 1MIN
 - CONTACT RESISTANCE: 50 MILLIOHMS MAX
 - VOLTAGE RATING: 125 VAC RMS
 - CURRENT RATING: 1.5 AMP
- MECHANICAL:
- DURRABILTY: 750 CYCLES MIN
 - PCB RETENTION PRE-SOLDER: 1 LB MIN
- ENVIRONMENTAL:
- STORAGE: -40-85°C
 - OPERATION: 0-70°C
 - HUMIDITY: <80%
- MATERIAL:
- HOUSINGS: PBT UL94V-0
 - CONTACTS: ϕ 0.46mm PHOSPHOR BRONZE, GOLD PLATING OVER NICKEL



				GENERAL TOLERANCE		DRAWN		Gene Li		2016-03-12		UNIT		MM		
				.X	±0.35	X.°	± 2°	CHECKE		YZ		SCALE		1:1		
				.XX	±0.25	.X°	± 1°	APPROVE				SHEET		1 OF 1		
				.XXX	±0.15	.XX°	± 0.5°	DRAWING NO				REV		A0		
REV	ECN NO	DESCRIPTION	DATE	SIGNATURE	PROJECT								PART NO.		RJ55D-8812-02111X	
												TITLE		5524 1X2 8P8C JACK		

X-SHUN 东莞市祥舜电子科技有限公司
 DONGGUAN X-SHUN ELECTRONICTECHNOLOGY CO., LTD
 TEL:+86 769 81885389 FAX:+86 769 81887859
 E-Mail:sales@x-shun.com Http:www.x-shun.com