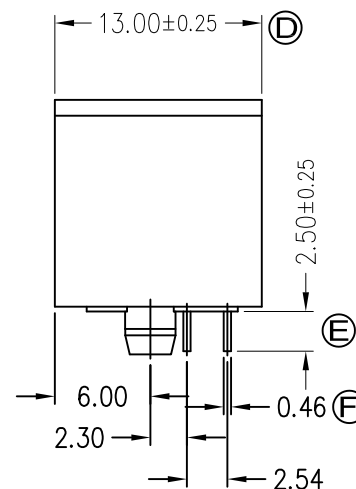
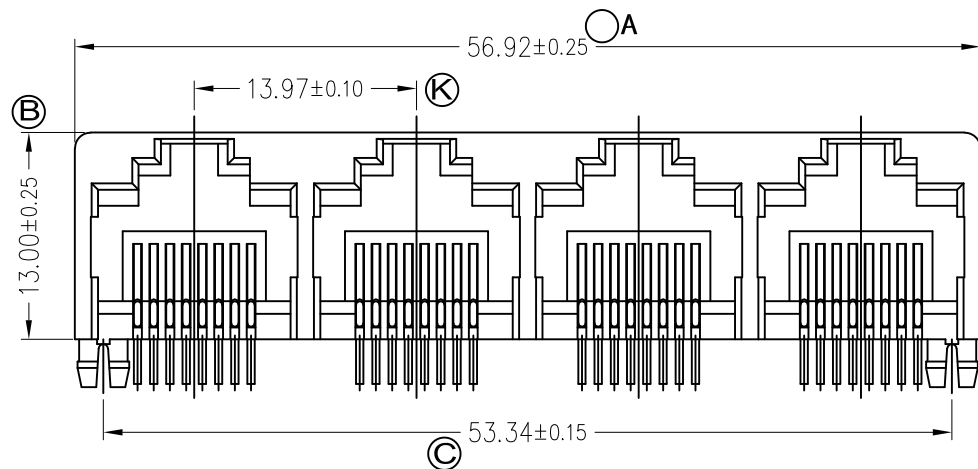


RoHS compliant



P/N: RJ55D-8814-02111X

CONTACTS (金针根数):

1-1. 2. 3. 6 PIN; 8-8CONTACTS (8C)

GOLD PLATING (镀金厚度):

1-FU"; 2-1U"; 3-1.5U"; 4-3U";

5-6U"; 6-15U";

PLASTIC (塑料):

1-PBT;

2-NYLON66 (尼龙66);

3-NYLON46 (尼龙46)

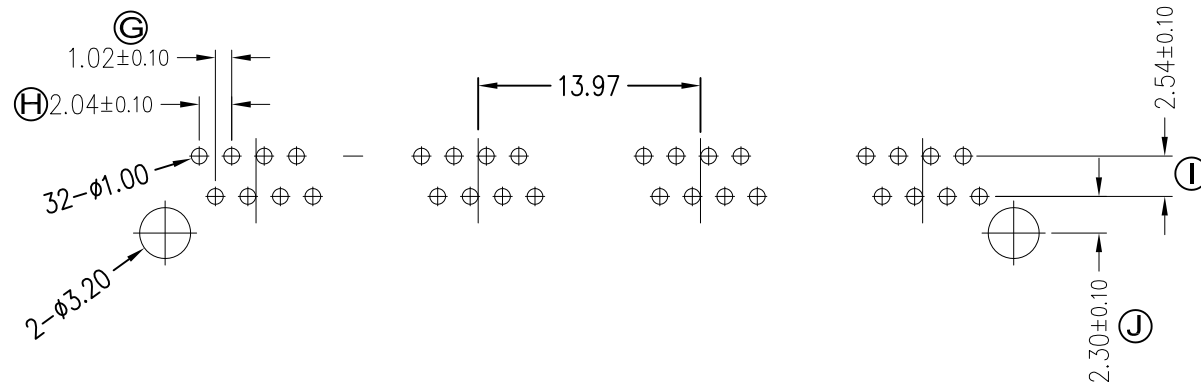
COLOR (颜色):

1-BLACK (黑色); 2-WHITE (白色); 3-RED (红色);

4-YELLOE (黄色); 5-BLUE (蓝色); 6-GREEN (绿色)

NOTE (备注):

X-NO NOTE



PRODUCT SPECIFICATION

ELECTRICAL:

1. INSULATION RESISTANCE: 500 MEGOHMS MIN @ 500V DC

2. DIELECTRIC WITHSTANDING RESISTANCE: 1000V AC RMS 50HZ. 1MIN

3. CONTACT RESISTANCE: 50 MILLIOHMS MAX

4. VOLTAGE RATING: 125 VAC RMS

5. CURRENT RATING: 1.5 AMP

MECHANICAL:

1. DURRABILIIY: 750 CYCLES MIN

2. PCB RETENTION PRE-SOLDER: 1 LB MIN

ENVIRONMENTAL:

1. STORAGE: -40-85°C

2. OPERATION: 0-70°C

3. HUMIDITY: <80%

MATERIAL:

1. HOUSINGS: PBT UL94V-0

2. CONTACTS: φ0.46mm PHOSPHOR BRONZE, GOLD PLATING OVER NICKEL

				GENERAL TOLERANCE		DRAWN	<i>Sene Li</i>	2016-03-12	UNIT	MM	X-SHUN 东莞市祥舜电子科技有限公司 DONGGUAN X-SHUN ELECTRONIC TECHNOLOGY CO., LTD TEL: +86 769 81885389 FAX: +86 769 81887859 E-Mail: sales@x-shun.com Http: www.x-shun.com
				.X ±0.35	X.° ±2°	CHECKE	YZ	SCALE	1:1		
A0		NEW DESIGN	2016-03-12			APPROVE		SHEET	1 OF 1	PART NO.	RJ55D-8814-02111X
REV	ECN NO	DESCRIPTION	DATE	SIGNATURE	PROJECT	DRAWING NO		REV	A0	TITLE	5524 1X4 8P8C JACK