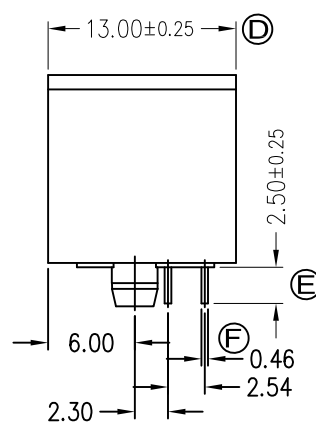
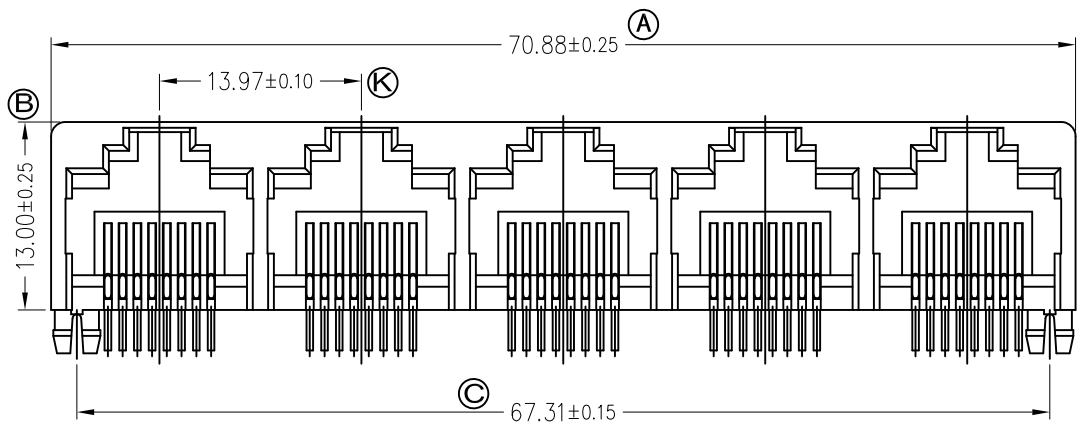


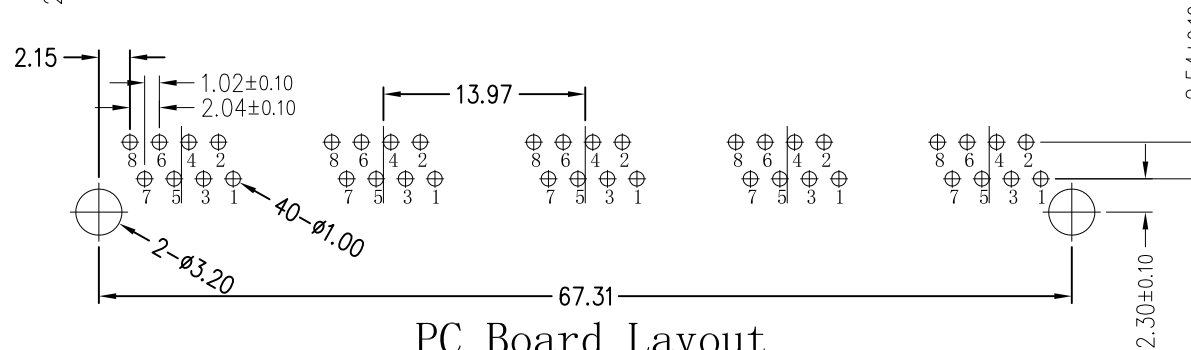
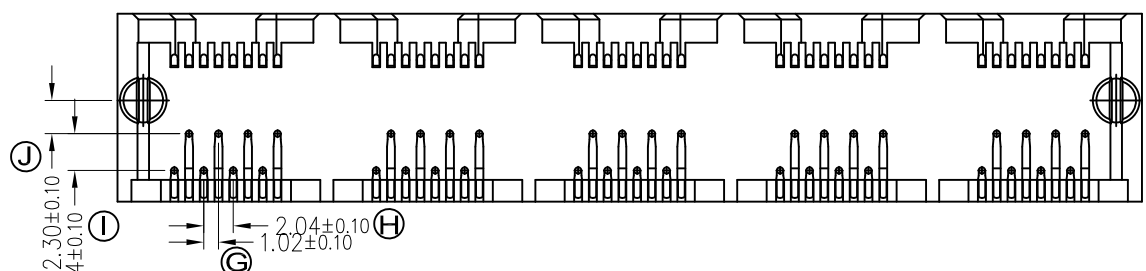
RoHS compliant

F
E
D
C
B
A

F
E
D
C
B
A



P/N: RJ55D-8815-02111X
 CONTACTS (金针根数):
 1-1. 2. 3. 6 PIN; 8-8CONTACTS (8C)
 GOLD PLATING (镀金厚度):
 1-FU"; 2-1U"; 3-1.5U"; 4-3U";
 5-6U"; 6-15U";
 PLASTIC (塑料):
 1-PBT;
 2-NYLON66 (尼龙66);
 3-NYLON46 (尼龙46)
 COLOR (颜色):
 1-BLACK (黑色); 2-WHITE (白色); 3-RED (红色);
 4-YELLOE (黄色); 5-BLUE (蓝色); 6-GREEN (绿色)
 NOTE (备注):
 X-NO NOTE



PC Board Layout

PRODUCT SPECIFICATION

- ELECTRICAL:
- INSULATION RESISTANCE: 500 MEGOHMS MIN @ 500V DC
 - DIELECTRIC WITHSTANDING RESISTANCE: 1000V AC RMS 50HZ. 1MIN
 - CONTACT RESISTANCE: 50 MILLIOHMS MAX
 - VOLTAGE RATING: 125 VAC RMS
 - CURRENT RATING: 1.5 AMP
- MECHANICAL:
- DURRABILIIY: 750 CYCLES MIN
 - PCB RETENTION PRE-SOLDER: 1 LB MIN
- ENVIRONMENTAL:
- STORAGE: -40~85°C
 - OPERATION: 0~70°C
 - HUMIDITY: <80%
- MATERIAL:
- HOUSINGS: PBT UL94V-0
 - CONTACTS: Ø0.46mm PHOSPHOR BRONZE, GOLD PLATING OVER NICKEL

				GENERAL TOLERANCE	DRAWN	Gene Li	2016-03-12	UNIT	MM	东莞市祥舜电子科技有限公司 DONGGUAN X-SHUN ELECTRONICTECHNOLOGY CO., LTD TEL:+86 769 81885389 FAX:+86 769 81887859 E-Mail:sales@x-shun.com Http:www.x-shun.com
				.X ±0.35 X.° ± 2°	CHECKE	YZ	SCALE	1:1		
				.XX ±0.25 .X° ± 1°	APPROVE		SHEET	1 OF 1		
				.XXX ±0.15 .XX° ± 0.5°	DRAWING NO		REV	A0		
A0		NEW DESIGN	2016-03-12						PART NO.	RJ55D-8815-02111X
REV	ECN NO	DESCRIPTION	DATE	SIGNATURE					TITLE	5524 1X5 8P8C JACK

1 2 3 4 5 6 7 8