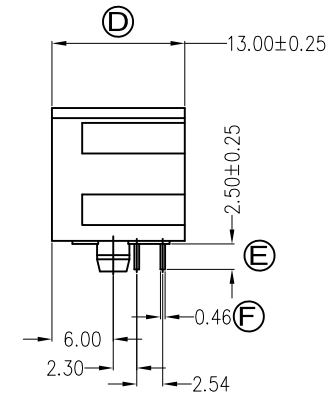
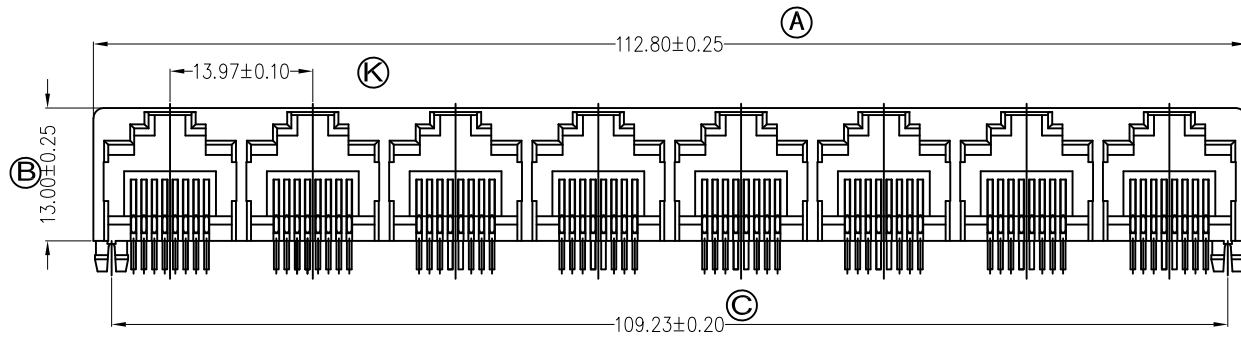
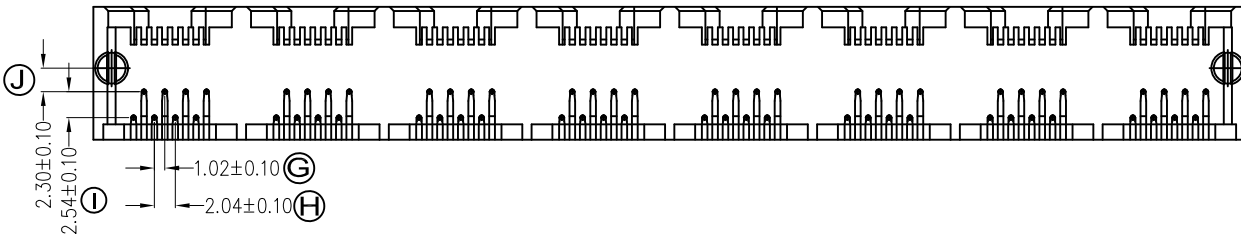


RoHS compliant



P/N: RJ55D-8818-02111X

- CONTACTS (金针根数):  
 1-1, 2, 3, 6 PIN; 8-8CONTACTS (8C)  
 GOLD PLATING (镀金厚度):  
 1-1U"; 2-1U"; 3-1.5U"; 4-3U";  
 5-6U"; 6-15U";  
 PLASTIC (塑料):  
 1-PBT;  
 2-NYLON66 (尼龙66);  
 3-NYLON46 (尼龙46)  
 COLOR (颜色):  
 1-BLACK (黑色); 2-WHITE (白色); 3-RED (红色);  
 4-YELLOW (黄色); 5-BLUE (蓝色); 6-GREEN (绿色)  
 NOTE (备注):  
 X-NO NOTE



PRODUCT SPECIFICATION

ELECTRICAL:

- INSULATION RESISTANCE: 500 MEGOHMS MIN @ 500V DC
- DIELECTRIC WITHSTANDING RESISTANCE: 1000V AC RMS 50HZ. 1MIN
- CONTACT RESISTANCE: 50 MILLIOHMS MAX
- VOLTAGE RATING: 125 VAC RMS
- CURRENT RATING: 1.5 AMP

MECHANICAL:

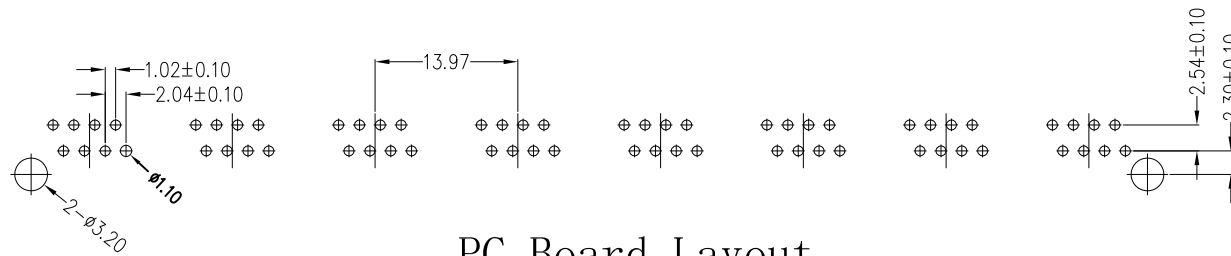
- DURRABILYY: 750 CYCLES MIN
- PCB RETENTION PRE-SOLDER: 1 LB MIN

ENVIRONMENTAL:

- STORAGE: -40-85°C
- OPERATION: 0-70°C
- HUMIDITY: <80%

MATERIAL:

- HOUSINGS: PA9T UL94V-0
- CONTACTS: Ø0.46mm PHOSPHOR BRONZE, GOLD PLATING OVER NICKEL



PC Board Layout

				GENERAL TOLERANCE		DRAWN	Gene Li	2016-03-12	UNIT	MM	<b>X-SHUN</b> 东莞市祥舜电子科技有限公司 DONGGUAN X-SHUN ELECTRONICTECHNOLOGY CO., LTD TEL:+86 769 81885389 FAX:+86 769 81887859 E-Mail:sales@x-shun.com Http:www.x-shun.com
				.X ±0.35	X.° ± 2°	CHECKE	YZ	SCALE	1:1		
A0		NEW DESIGN	2016-03-12			APPROVE		SHEET	1 OF 1	PART NO.	RJ55D-8818-02111X
REV	ECN NO	DESCRIPTION	DATE	SIGNATURE	PROJECT	DRAWING NO		REV	A0	TITLE	5524-1X8 8P8C JACK