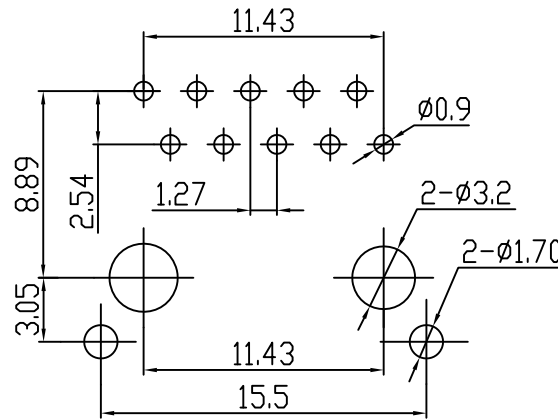
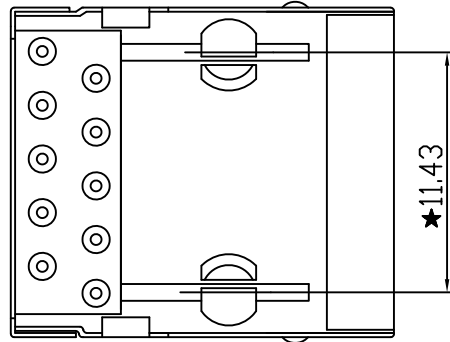
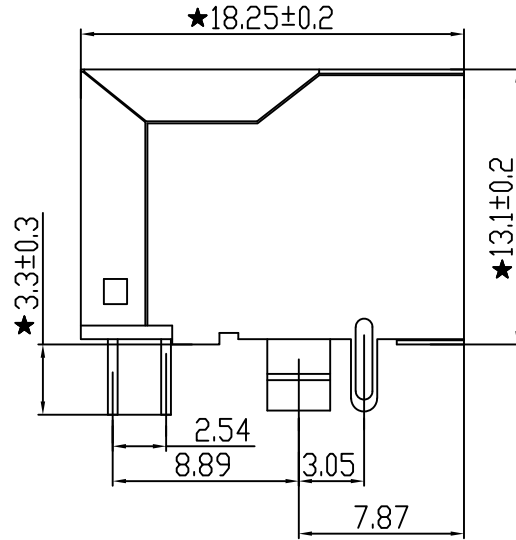
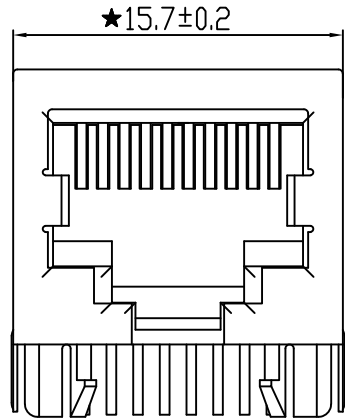


RoHS compliant



PC Board Layout

NOTES:

ELECTRICAL:

- 1. VOLTAGE RATING : 125 VAC RMS.
- 2. CURRENT RATING : 1.5 AMP.
- 3. CONTACT RESISTANCE : 30 MILLIOHMS MAX.
- 4. INSULATION RESISTANCE : 500 MEGOHMS MIN @ 500 VDC.
- 5. DIELECTRIC STRENGTH : 1000 VAC RMS 50Hz or 60Hz, 1MIN.

MECHANICAL:

- 1. HOUSING & INSERT MATERIAL : PBT UL94V-0.
- 2. CONTACT MATERIAL : DIAMETER 0.45MM PHOSPHOR BRONZE GOLD PLATING OVER NICKEL.
- 3. SHIELD : 0.20 ~ 0.25MM THICKNESS BRASS WITH NICKEL PLATED.
- 4. MATING/UNMATING FORCE : 2.2KG. F MAX.
- 5. RETENTION STRENGTH : 7.7KG. F MIN BETWEEN JACK AND PLUG.
- 6. OPERATING LIFE : 600 CYCLES MIN.

ENVIRONMENTAL:

- 1. STORAGE : -10°C ~ +40°C RELATIVE HUMIDITY<70%.
- 2. OPERATION : -40°C ~ +70°C.

Remark:

- 1. Tolerances Unless Otherwise Specified
.0±0.25 .00±0.20 .000±0.10
- 2. The mark with ★ is the key inspection dimension for QC

P/N:RJ56A-1111-1100XXX

- GOLD PLATING
 - 1-Gold Flash
 - 2-1u
 - 3-1.5u
 - 4-3u
 - 5-6u
- PLASTIC
 - 1-PBT
 - 2-NV66
 - 3-NV46
- COLOR
 - 1-BLACK
 - 2-WHITE
 - 3-RED
 - 4-YELLOW

				GENERAL TOLERANCE		DRAWN		Gene Li		2017/08/19		东莞市祥舜电子科技有限公司 DONGGUAN X-SHUN ELECTRONIC TECHNOLOGY CO., LTD			
				.X ±0.35 X.° ± 2°		CHECKE		SC							
A0				NEW DESIGN		2017/08/19						TITLE:		5621S-1X1-10P10C F3.05	
REV	ECN NO	DESCRIPTION	DATE	SIGNATURE	PROJECT	UNIT	mm	SCALE	1:1	SHEET	REV	A0	DRAWING NO.	H-56A-01	