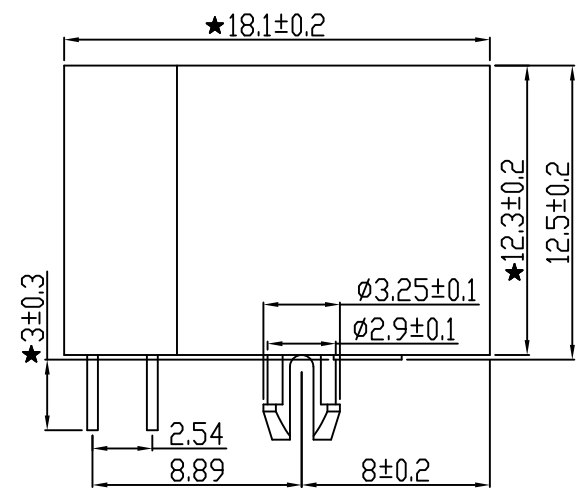
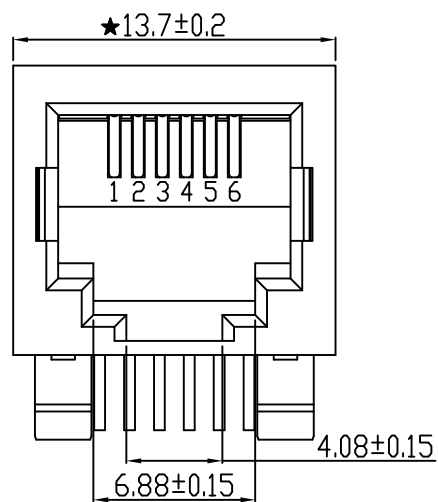
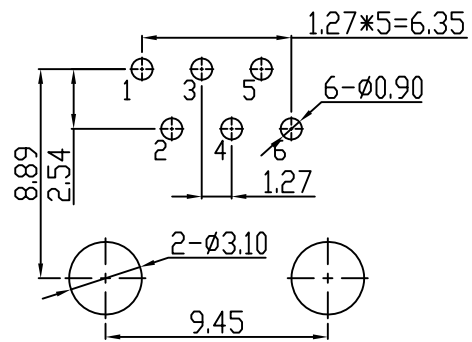
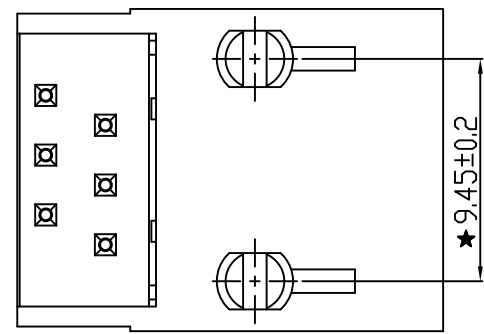
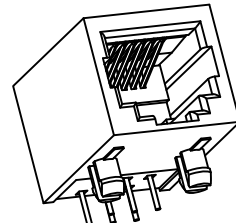


RoHS compliant



- NOTES:
- ELECTRICAL:
- VOLTAGE RATING: 125V AC.
 - CURRENT RATING: 1.5A.
 - CONTACT RESISTANCE: 30 mΩ MAX.
 - INSULATION RESISTANCE: 500 MΩ MIN @ 500V DC.
 - DIELECTRIC STRENGTH: 1000V AC 50Hz or 60Hz, 1MIN.
- MECHANICAL:
- INSERT MATERIAL: UL94V-0.
 - CONTACT MATERIAL: DIAMETER 0.46mm C51000(QSn4-0.3) PHOSPHOR BRONZE GOLD PLATING OVER NICKEL.
 - MATING/UNMATING FORCE: 2.2KG.F MAX.
 - RETENTION STRENGTH: 5.0KG.F MIN BETWEEN JACK AND PLUG.
 - OPERATING LIFE: 750 CYCLES MIN.
- ENVIRONMENTAL:
- STORAGE: -40°C ~ +85°C RELATIVE HUMIDITY<70%.
 - OPERATION: -40°C ~ +85°C.
- Remark:
- The mark with★ is the key inspection dimension for QC



P/N: RJ56A-6611-0000XXX

- SHIELD: 0-1/0 SHIELD, 1-FULL SHIELD, 2-HALF SHIELD
- PEG/TAB: 0-1/0 PEG, 1-FRONT PEG 3.05, 2-FRONT PEG 3.68, 3-FRONT PEG 4.57, 4-BACK PEG 3.05, 5-BACK PEG 3.68
- BACK PEG: 0-1/0 BACK PEG, 1-BRAC PEG, 2-BRAC PEG, 3-BRAC PEG
- EMI: 0-1/0 EMI, 1-4/EXT
- GOLD PLATING: 1-Gold Flash, 2-1u, 3-1.5u, 4-3u, 5-6u
- PLASTIC: 1-PBT, 2-NY66, 3-NY46
- COLOR: 1-BLACK, 2-WHITE, 3-RED, 4-YELLOW

PC Board Layout

				GENERAL TOLERANCE		DRAWN	<i>Sene Li</i>	UNIT	X-SHUN 东莞市祥舜电子科技有限公司	
				.X ±0.25	X.° ±2°	CHECKE	SC	SCALE	DONGGUAN X-SHUN ELECTRONICTECHNOLOGY CO., LTD	
				.XX ±0.20	.X° ±1°	APPROVE		SHEET	TEL:+86 769 81885389 FAX:+86 769 81887859	
				.XXX ±0.10	.XX° ±0.5°			REV	E-Mail:sales@x-shun.com Http:www.x-shun.com	
REV	ECN NO	DESCRIPTION	DATE	SIGNATURE	PROJECT	DRAWING NO			PART NO.	RJ56A-6611-0000111
1	2	NEW DESIGN	2016/06/15						TITLE	5621-1X1-6P6C