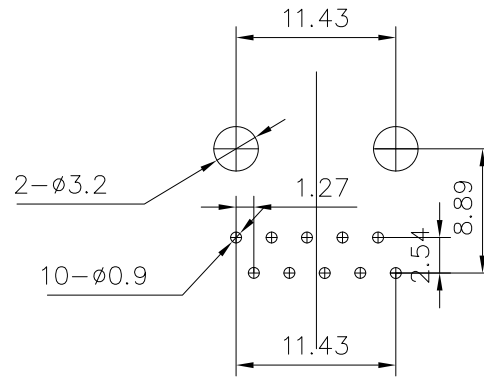
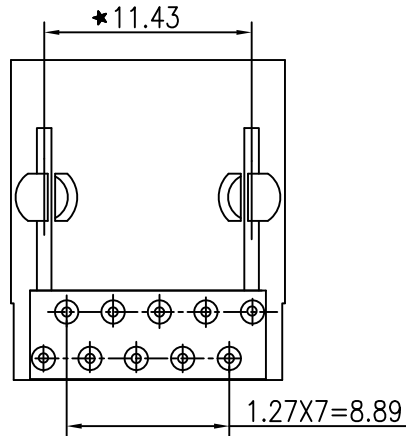
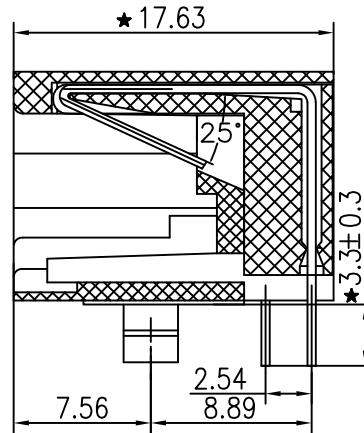
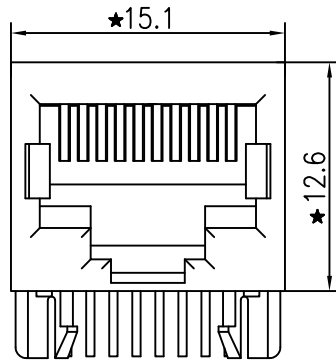


RoHS compliant



PC Board Layout

NOTES

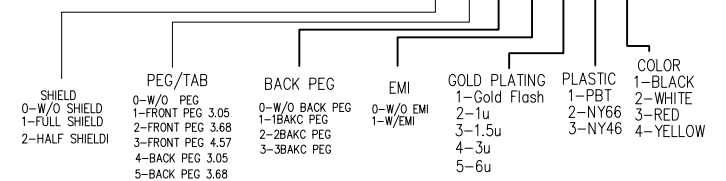
MATERIAL
 1. HOUSING MATERIAL : GLASS FILLED POLYESTER UL94V-0.
 2. CONTACT MATERIAL : PHOSPHOR BRONZE ϕ 0.46mm.
 3. PLATING : GOLD PLATING OVER NICKEL.
 : FU", 3U", 6U", 15U", 30", 50".

ELECTRICAL
 1. VOLTAGE RATING : 125 VAC RMS.
 2. CURRENT RATING : 1.5 AMP.
 3. CONTACT RESISTANCE : 30 MILLIOHMS MAX.
 4. INSULATION RESISTANCE : 500 MEGOHMS MIN @ 500V DC .
 5. DIELECTRIC DIELECTRIC RESISTANCE : 1000V AC RMS 50Hz. 1MIN.

MECHANICAL
 1. DURRABILITY : 750 CYCLES MIN.
 2. PCB RETENTIONPRE-SOLDER : 1 LB MIN.

ENVIRONMENTAL :
 1. STORAGE : -40°C ~ +85°C.
 2. OPERATION : -40°C ~ +85°C.

P/N:RJ56A-1111-0000XXX



				GENERAL TOLERANCE		DRAWN	<i>Gene Li</i>	2014-03-12	UNIT	MM	X-SHUN 东莞市祥舜电子科技有限公司 DONGGUAN X-SHUN ELECTRONIC TECHNOLOGY CO., LTD
				.X ±0.15	.X° ±2°	CHECKE	SC		SCALE	1:1	
A0		NEW DESIGN	2014/03/12	.XXX ±0.05	.XX° ±0.5°	APPROVE			SHEET	1 OF 1	PART NO. RJ56A-1111-0000XXX
REV	ECN NO	DESCRIPTION	DATE	SIGNATURE	PROJECT	DRAWING NO	R-H56A-02	REV	A0	TITLE	5621 10P10C without shield