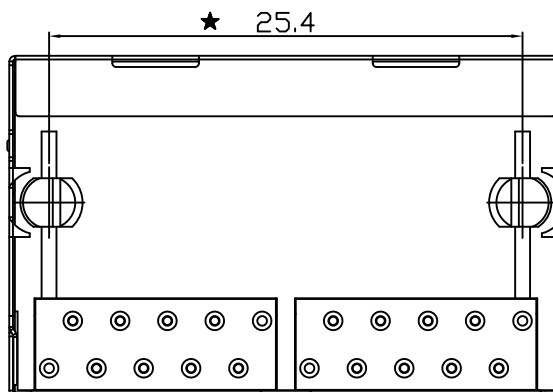
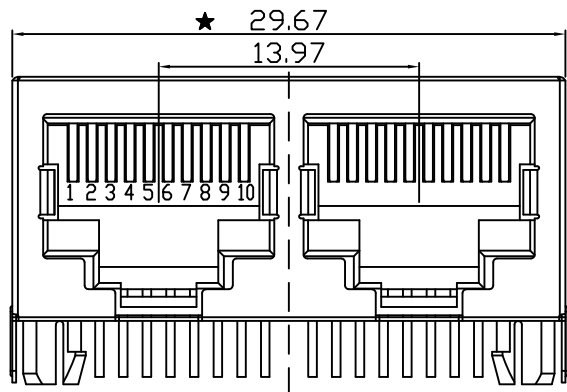
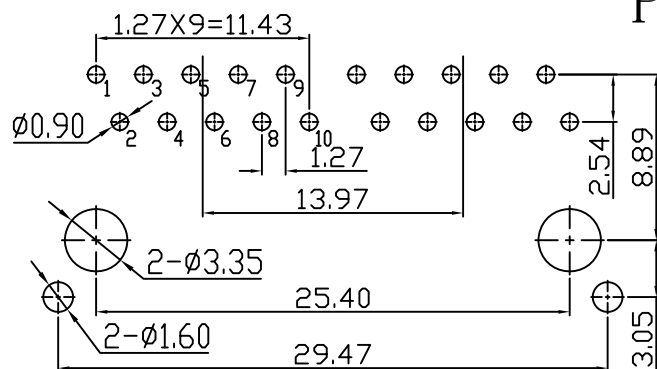
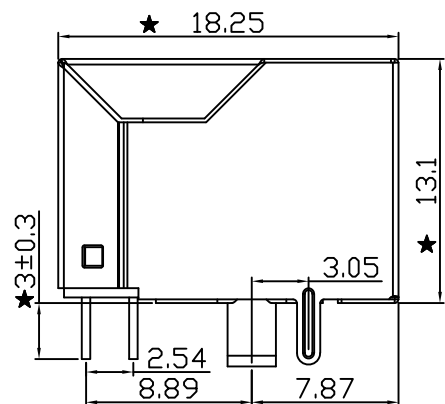


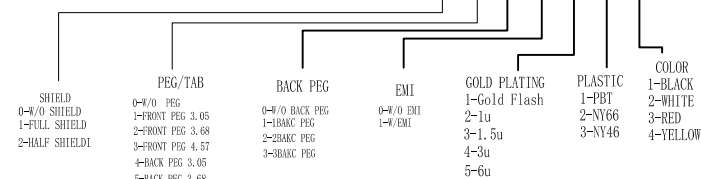
RoHS compliant



- NOTES:
- ELECTRICAL:
- VOLTAGE RATING: 125V AC.
 - CURRENT RATING: 1.5A.
 - CONTACT RESISTANCE: 30 mΩ MAX.
 - INSULATION RESISTANCE: 500 MΩ MIN @ 500V DC.
 - DIELECTRIC STRENGTH: 1000V AC 50Hz or 60Hz, 1MIN.
- MECHANICAL:
- INSERT MATERIAL: UL94V-0.
 - CONTACT MATERIAL: DIAMETER 0.46mm C51000 (QSn4-0.3) PHOSPHOR BRONZE GOLD PLATING OVER NICKEL.
 - SHIELD: 0.20mm THICKNESS H65Y BRASS NICKEL PLATED.
 - MATING/UNMATING FORCE: 2.2KG.F MAX.
 - RETENTION STRENGTH: 5.0KG.F MIN BETWEEN JACK AND PLUG.
 - OPERATING LIFE: 750 CYCLES MIN.
- ENVIRONMENTAL:
- STORAGE: -40°C ~ +85°C RELATIVE HUMIDITY<70%.
 - OPERATION: -40°C ~ +85°C.
- Remark:
- The mark with★ is the key inspection dimension for QC.



P/N:RJ56A-1112-1100XXX



PC Board Layout

				GENERAL TOLERANCE		DRAWN	Gene Li	2016-06-15	UNIT	MM	X-SHUN 东莞市祥舜电子科技有限公司 DONGGUAN X-SHUN ELECTRONICTECHNOLOGY CO., LTD TEL:+86 769 81885389 FAX:+86 769 81887859 E-Mail:sales@x-shun.com Http:www.x-shun.com
				.X ±0.25	X.° ± 2°	CHECKE	SC		SCALE	1:1	
				.XX ±0.20	.X.° ± 1°	APPROVE			SHEET	1 OF 1	
				.XXX ±0.10	.XX.° ± 0.5°	PROJECT			PART NO.	RJ56A-1112-1100XXX	
REV	ECN NO	DESCRIPTION	DATE	SIGNATURE		DRAWING NO		REV	A0	TITLE	5621S 1X2 10P10C F3.05(无后背脚)