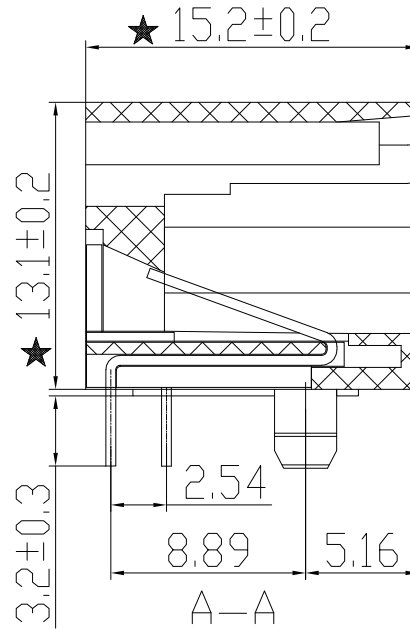
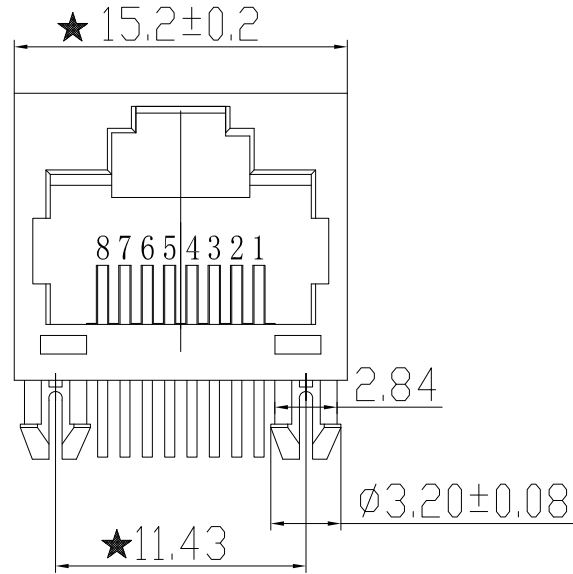


RoHS compliant



NOTES:

ELECTRICAL:

- 1. VOLTAGE RATING : 125 VAC RMS.
- 2. CURRENT RATING : 1.5 AMP.
- 3. CONTACT RESISTANCE : 30 MILLIOHMS MAX.
- 4. INSULATION RESISTANCE : 500 MEGOHMS MIN @ 500 VDC.
- 5. DIELECTRIC STRENGTH : 1000 VAC RMS 50Hz or 60Hz, 1MIN.

MECHANICAL:

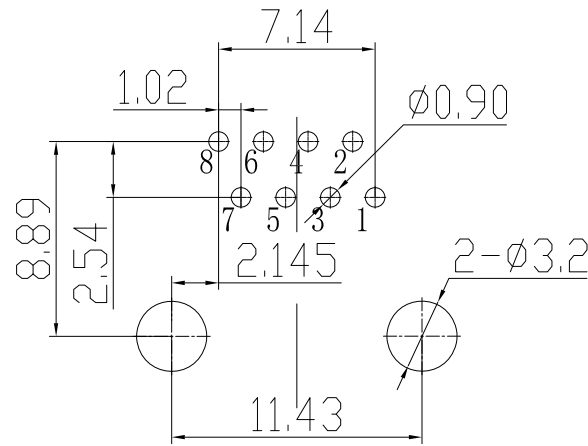
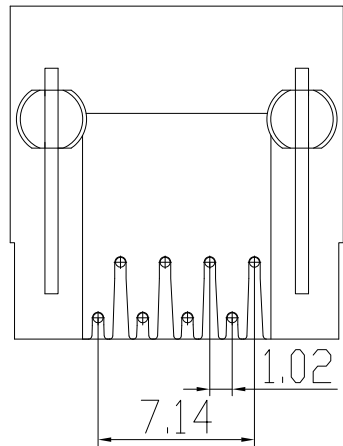
- 1. HOUSING & INSERT MATERIAL : PBT UL94V-0.
- 2. CONTACT MATERIAL : DIAMETER 0.45MM PHOSPHOR BRONZE
GOLD PLATING OVER NICKEL.
- 3. MATING/UNMATING FORCE : 2.2KG.F MAX.
- 4. RETENTION STRENGTH : 7.7KG.F MIN BETWEEN JACK AND PLUG.
- 5. OPERATING LIFE : 600 CYCLES MIN.

ENVIRONMENTAL:

- 1. STORAGE : -10°C ~ +40°C RELATIVE HUMIDITY<70%.
- 2. OPERATION : -40°C ~ +85°C.

Remark:

- 1. Tolerances Unless Otherwise Specified
.0±0.25 .00±0.20 .000±0.10
- 2. The mark with ★ is the key inspection dimension for QC



PC Board Layout

P/N: RJ56C-8811-0X1XR

5631 RJ45 SERIES PCB JACK

- POSITIONS (金针位置):
- 8-POSITIONS (8P)
- CONTACTS (金针根数):
- 8-CONTACTS (8C)
- PORTS (窗口):
- 11-1X1
- SHIELD (屏蔽壳):
- 0-without SHIELD (全塑)
- GOLD PLATING (镀金厚度):
- 1-FU"; 2-1.5U"; 3-3U"; 4-6U";
- 5-15U"; 6-30U"; 7-50U";
- PIN STYLE (PIN规格):
- R-ROUND PIN (圆针)
- F-FLAT PIN (扁针)
- COLOR (颜色):
- 1-BLACK (黑色)
- 4-YELLOW (黄色)
- PLASTIC (塑料):
- 1-PBT

				GENERAL TOLERANCE		DRAWN		Gene Li		2017/06/21		东莞市祥舜电子科技有限公司 DONGGUAN X-SHUN ELECTRONIC TECHNOLOGY CO., LTD			
				.X ±0.35	X.° ± 2°	CHECKER		SC							
A0				NEW DESIGN		2017/06/21						TITLE: 5631 1X1 8P8C			
REV	ECN NO	DESCRIPTION	DATE	SIGNATURE	PROJECT	UNIT	mm	SCALE	1:1	SHEET	1/1	REV	A0	DRAWING NO.	56C-001