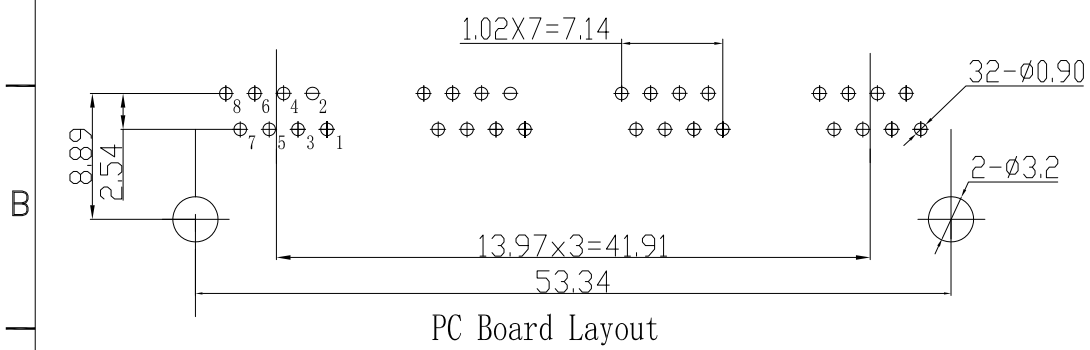
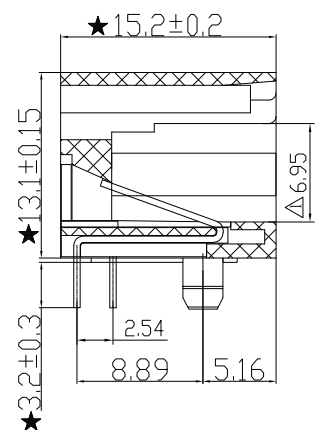
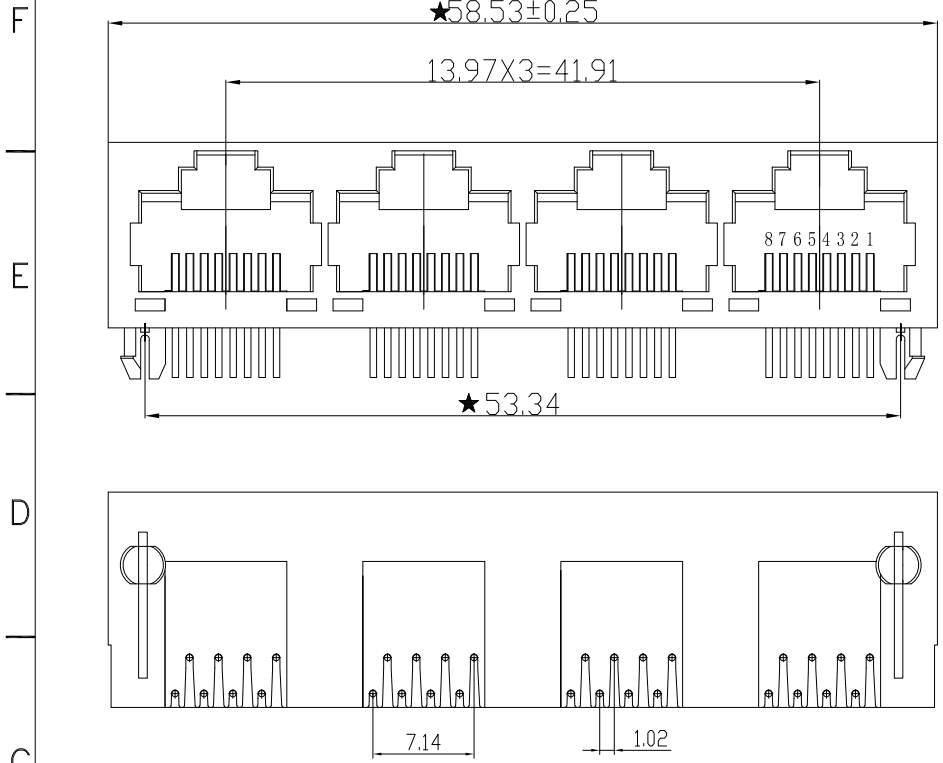


RoHS compliant



NOTES:

ELECTRICAL:

- 1. VOLTAGE RATING : 125 VAC RMS.
- 2. CURRENT RATING : 1.5 AMP.
- 3. CONTACT RESISTANCE : 30 MILLIOHMS MAX.
- 4. INSULATION RESISTANCE : 500 MEGOHMS MIN @ 500 VDC.
- 5. DIELECTRIC STRENGTH : 1000 VAC RMS 50Hz or 60Hz, 1MIN.

MECHANICAL:

- 1. HOUSING & INSERT MATERIAL : PBT UL94V-0.
- 2. CONTACT MATERIAL : DIAMETER 0.45MM PHOSPHOR BRONZE GOLD PLATING OVER NICKEL.
- 3. MATING/UNMATING FORCE : 2.2KG. F MAX.
- 4. RETENTION STRENGTH : 7.7KG. F MIN BETWEEN JACK AND PLUG.
- 5. OPERATING LIFE : 600 CYCLES MIN.

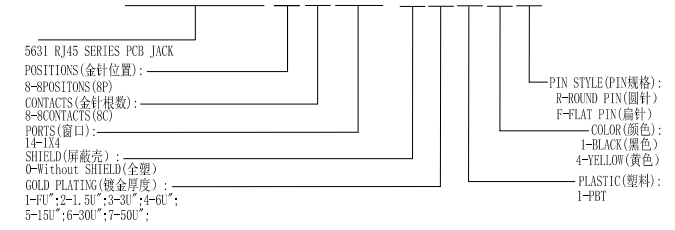
ENVIRONMENTAL:

- 1. STORAGE : -10°C ~ +40°C RELATIVE HUMIDITY<70%.
- 2. OPERATION : -40°C ~ +85°C.

Remark:

- 1. Tolerances Unless Otherwise Specified
.0±0.25 .00±0.20 .000±0.10
- 2. The mark with ★ is the key inspection dimension for QC

P/N: RJ56C-8814-0X1XR



5631 RJ45 SERIES PCB JACK
POSITIONS (金针位置):
8-POSITIONS (8P)
CONTACTS (金针根数):
8-CONTACTS (8C)
PORTS (窗口):
14-1X4
SHIELD (屏蔽壳):
0-Without SHIELD (全塑)
GOLD PLATING (镀金厚度):
1-10"; 2-1.50"; 3-30"; 4-0U";
5-150"; 6-300"; 7-50U";

				GENERAL TOLERANCE		DRAWN		Gene Li		2017/06/21		东莞市祥舜电子科技有限公司 DONGGUAN X-SHUN ELECTRONIC TECHNOLOGY CO., LTD			
				.X ±0.35	X.° ± 2°	CHECKE		SC							
A0				NEW DESIGN		2017/06/21						TITLE: 5631 1X4 8P8C			
REV	ECN NO	DESCRIPTION	DATE	SIGNATURE	PROJECT	UNIT	mm	SCALE	1:1	SHEET	1/1	REV	A0	DRAWING NO.	56C-003