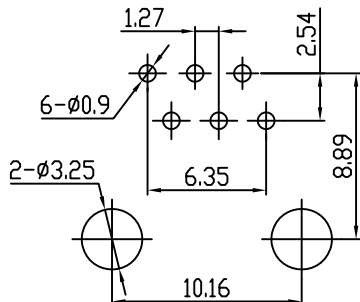
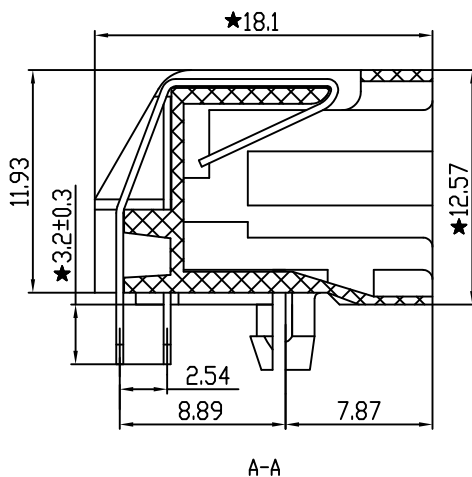
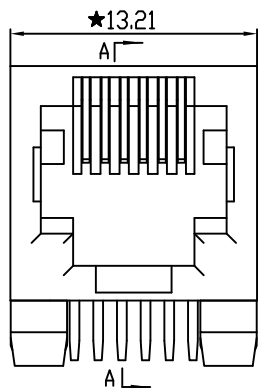
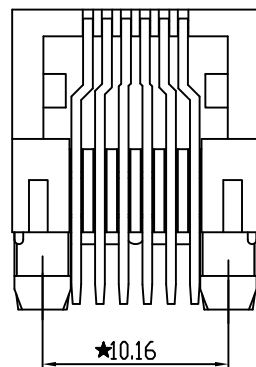


RoHS compliant



PC Board Layout



NOTES

MATERIAL

- 1. HOUSING MATERIAL : GLASS FILLED POLYESTER UL94V-0.
- 2. CONTACT MATERIAL : PHOSPHOR BRONZE T=0.35mm
- 3. PLATING : CONTACT AREA-SELECTIVE GOLD PLATING, TAILS PLATING TIN OVER NICKEL.
- 4. : FU", 3U", 6U", 15U", 30", 50".

ELECTRICAL

- 1. VOLTAGE RATING : 125 VAC RMS.
- 2. CURRENT RATING : 1.5 AMP.
- 3. CONTACT RESISTANCE : 30 MILLIOHMS MAX.
- 4. INSULATION RESISTANCE : 500 MEGOHMS MIN @ 500V DC .
- 5. DIELECTRIC DIELECTRIC RESISTANCE : 1000V AC RMS 50Hz. 1MIN.

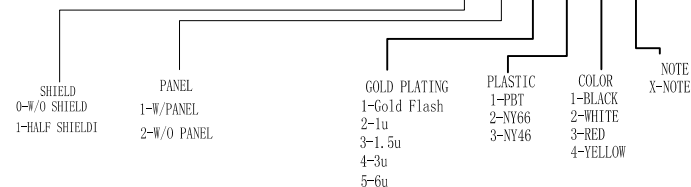
MECHANICAL

- 1. DURRABILITY : 750 CYCLES MIN.
- 2. PCB RETENTIONPRE-SOLDER : 1 LB MIN.

ENVIRONMENTAL:

- 1. STORAGE : -40°C~+85°C.
- 2. OPERATION : -40°C~+85°C.

P/N:RJ57B-6611-02111X



				GENERAL TOLERANCE		DRAWN	<i>Sene Li</i>	2014-03-12	UNIT	MM	<b>X-SHUN</b> 东莞市祥舜电子科技有限公司 DONGGUAN X-SHUN ELECTRONICTECHNOLOGY CO., LTD TEL:+86 769 81885389 FAX:+86 769 81887859 E-Mail:sales@x-shun.com Http:www.x-shun.com	
				.X	±0.30 X.° ± 2°	CHECKE	SC		SCALE	1:1		
A0		NEW DESIGN	2014/03/12			APPROVE			SHEET	1 OF 1	PART NO.	RJ57B-6611-02111X
REV	ECN NO	DESCRIPTION	DATE	SIGNATURE	PROJECT	DRAWING NO	R-H57B-01	REV	A0	TITLE	5722 6P6C W/O PANEL JACK	