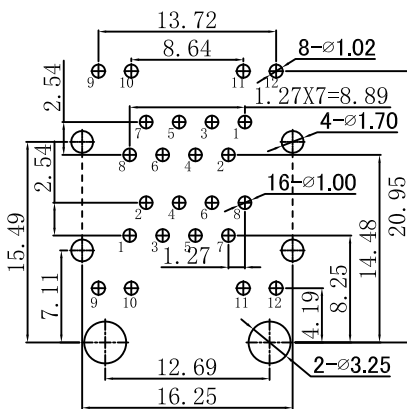
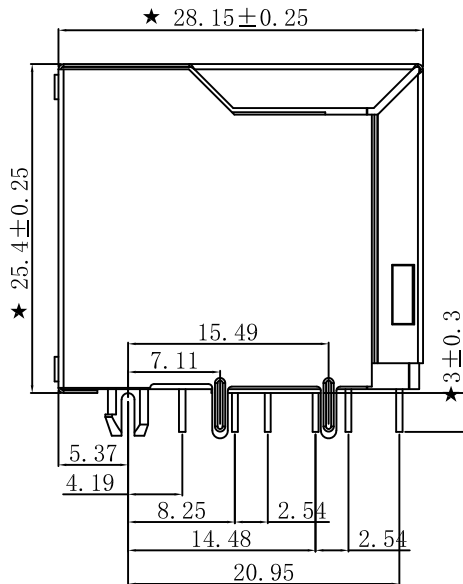
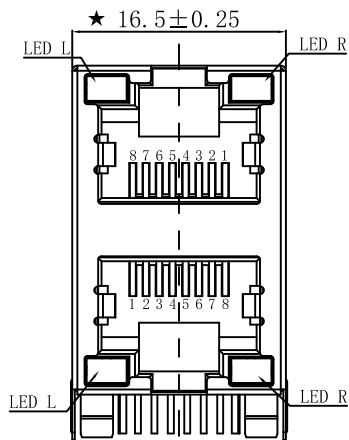
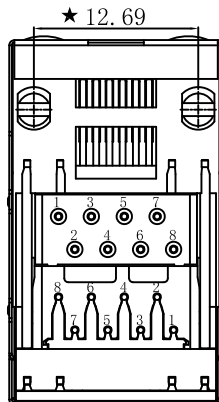


RoHS compliant



PC Board Layout



NOTES:

ELECTRICAL:

1. VOLTAGE RATING: 125V AC.
2. CURRENT RATING: 1.5A.
3. CONTACT RESISTANCE: 30 mΩ MAX.
4. INSULATION RESISTANCE: 500 MΩ MIN @ 500V DC.
5. DIELECTRIC STRENGTH: 1000V AC 50Hz or 60Hz, 1MIN.

MECHANICAL:

1. INSERT MATERIAL: UL94V-0.
2. CONTACT MATERIAL: DIAMETER 0.46mm C51000(QSn4-0.3)PHOSPHOR BRONZE GOLD PLATING OVER NICKEL.
3. MATING/UNMATING FORCE: 2.2KG.F MAX.
4. RETENTION STRENGTH: 7.7KG.F MIN BETWEEN JACK AND PLUG.
5. OPERATING LIFE: 750 CYCLES MIN.

ENVIRONMENTAL:

1. STORAGE: -40°C ~ +85°C RELATIVE HUMIDITY<70%.
2. OPERATION: -40°C ~ +85°C.

Remark:

- 1.The mark with★ is the key inspection dimension for QC

LED COLOUR DISPLAY  
LED 极性示意图

S/N	LEFT LED	RIGHT LED
图一	9 → 10 YELLOW	11 → 12 GREEN
图二	9 → 10 GREEN	11 → 12 YELLOW
图三	9 → 10 GREEN ORANGE	11 → 12 YELLOW
图四	9 → 10 GREEN	11 → 12 GREEN

PART NUMBER:

P/N 料号	DESCRIPTION 描述	MATER COLOR 材质	GOLD PLATING 电铸	LED COLOUR DISPLAY LED 极性说明
RJ5JC-8821-101111R	5921S-LED 2X1 8P8C-D PCB JACK	PBT BLACK 黑	GF"	图一
RJ5JC-8821-102111R	5921S-LED 2X1 8P8C-D PCB JACK	PBT BLACK 黑	GF"	图二
RJ5JC-8821-101114R	5921S-LED 2X1 8P8C-D PCB JACK	PBT YELLOW 黄	GF"	图一
RJ5JC-8821-101116R	5921S-LED 2X1 8P8C-D PCB JACK	PBT GRAY 灰	GF"	图一

REV	ECN NO	DESCRIPTION	DATE	SIGNATURE	PROJECT	DRAWING NO	REV	A0	TITLE
A0		NEW DESIGN	2016/07/22						SEE TABLE
									5921S-LED 2X1 8P8C-D PCB JACK

**X-SHUN** 东莞市祥舜电子科技有限公司  
DONGGUAN X-SHUN ELECTRONIC TECHNOLOGY CO., LTD  
TEL: +86 769 81885389 FAX: +86 769 81887859  
E-Mail: sales@x-shun.com Http: www.x-shun.com