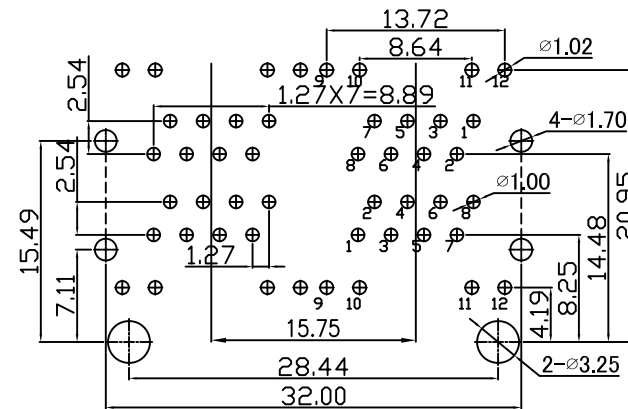
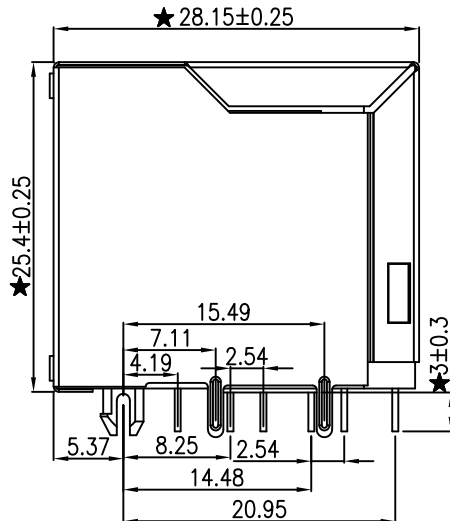
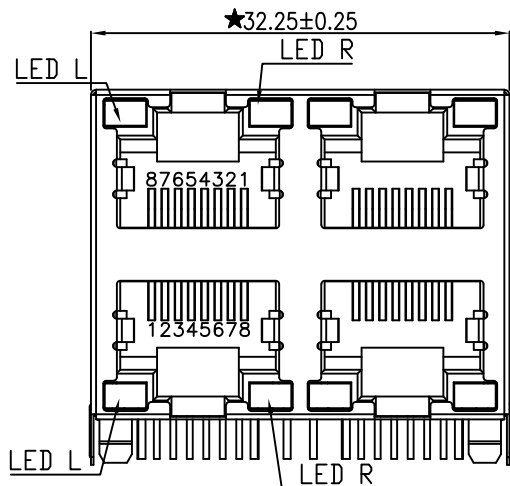


RoHS compliant



PC Board Layout

PART NUMBER:

P/N 料号	DESCRIPTION 描述	MATER COLOR 材质	GOLD PLATING 电镀	LED COLOUR DISPLAY LED 极性说明
RJ5JC-8822-101111R	5921S-LED 2X2 8P8C-D PCB JACK	PBT BLACK 黑	GF"	图一
RJ5JC-8822-102111R	5921S-LED 2X2 8P8C-D PCB JACK	PBT BLACK 黑	GF"	图二
RJ5JC-8822-101114R	5921S-LED 2X2 8P8C-D PCB JACK	PBT YELLOW 黄	GF"	图一
RJ5JC-8822-101116R	5921S-LED 2X2 8P8C-D PCB JACK	PBT GRAY 灰	GF"	图一
RJ5JC-8822-101131R	5921S-LED 2X2 8P8C-D PCB JACK	PA46 BLACK 黑	GF"	图一

NOTES:

ELECTRICAL:

- VOLTAGE RATING: 125V AC.
- CURRENT RATING: 1.5A.
- CONTACT RESISTANCE: 30 mΩ MAX.
- INSULATION RESISTANCE: 500 MΩ MIN @ 500V DC.
- DIELECTRIC STRENGTH: 1000V AC 50Hz or 60Hz, 1MIN.

MECHANICAL:

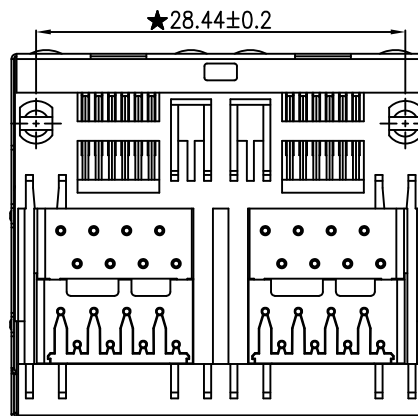
- INSERT MATERIAL: UL94V-0.
- CONTACT MATERIAL: DIAMETER 0.46mm C51000(QSn4-0.3)PHOSPHOR BRONZE GOLD PLATING OVER NICKEL.
- MATING/UNMATING FORCE: 2.2KG.F MAX.
- RETENTION STRENGTH: 7.7KG.F MIN BETWEEN JACK AND PLUG.
- OPERATING LIFE: 750 CYCLES MIN.

ENVIRONMENTAL:

- STORAGE: -40°C ~ +85°C RELATIVE HUMIDITY<70%.
- OPERATION: -40°C ~ +85°C.

Remark:

1.The mark with★ is the key inspection dimension for QC



LED COLOUR DISPLAY LED 极性示意图

S/N	LEFT LED	RIGHT LED
图一	YELLOW 9 → 10	GREEN 11 → 12
图二	GREEN 9 → 10	YELLOW 11 → 12
图三	GREEN 9 → 10 ORANGE	YELLOW 11 → 12
图四	GREEN 9 → 10	GREEN 11 → 12

REV	ECN NO	DESCRIPTION	DATE	SIGNATURE	PROJECT	DRAWING NO	REV	A0	TITLE
A0		NEW DESIGN	2016/07/22						SEE TABLE
									5921S-LED 2X2 8P8C-D PCB JACK

X-SHUN 东莞市祥舜电子科技有限公司
DONGGUAN X-SHUN ELECTRONIC TECHNOLOGY CO., LTD
TEL:+86 769 81885389 FAX:+86 769 81887859
E-Mail:sales@x-shun.com Http:www.x-shun.com