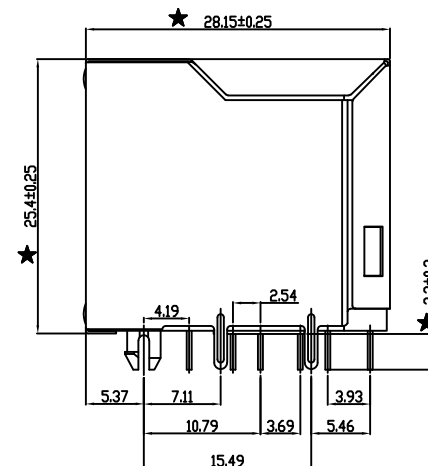
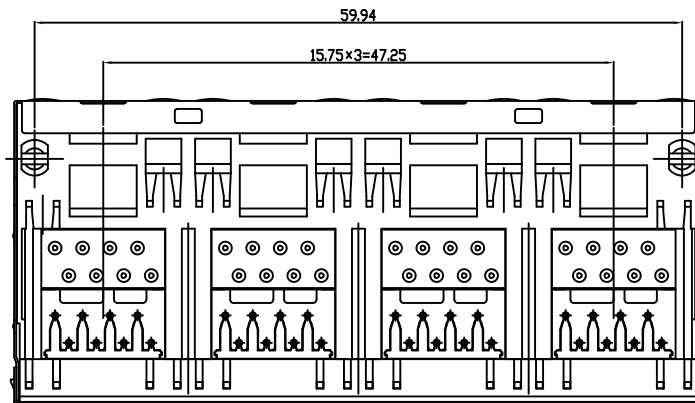
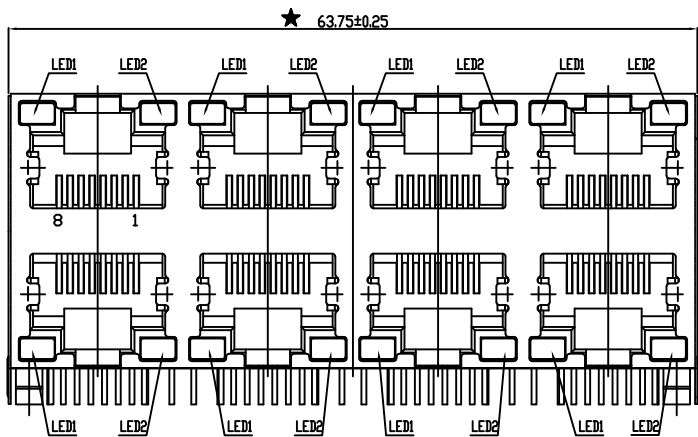


RoHS compliant



NOTES:

ELECTRICAL:

1. VOLTAGE RATING : 125 VAC RMS.
2. CURRENT RATING : 1.5 AMP.
3. CONTACT RESISTANCE : 30 MILLIOHMS MAX.
4. INSULATION RESISTANCE : 500 MEGOHMS MIN @ 500 VDC.
5. DIELECTRIC STRENGTH : 1000 VAC RMS 50Hz or 60Hz, 1MIN.

MECHANICAL:

1. HOUSING & INSERT MATERIAL : PBT UL94V-0.
2. CONTACT MATERIAL : DIAMETER 0.45MM PHOSPHOR BRONZE GOLD PLATING OVER NICKEL.
3. SHIELD : 0.20 ~ 0.25MM THICKNESS BRASS WITH NICKEL PLATED.
4. MATING/UNMATING FORCE : 2.2KG, F MAX.
5. RETENTION STRENGTH : 7.7KG, F MIN BETWEEN JACK AND PLUG.
6. OPERATING LIFE : 600 CYCLES MIN.

ENVIRONMENTAL:

1. STORAGE : -10°C ~ +40°C RELATIVE HUMIDITY<70%.
2. OPERATION : -40°C ~ +85°C.

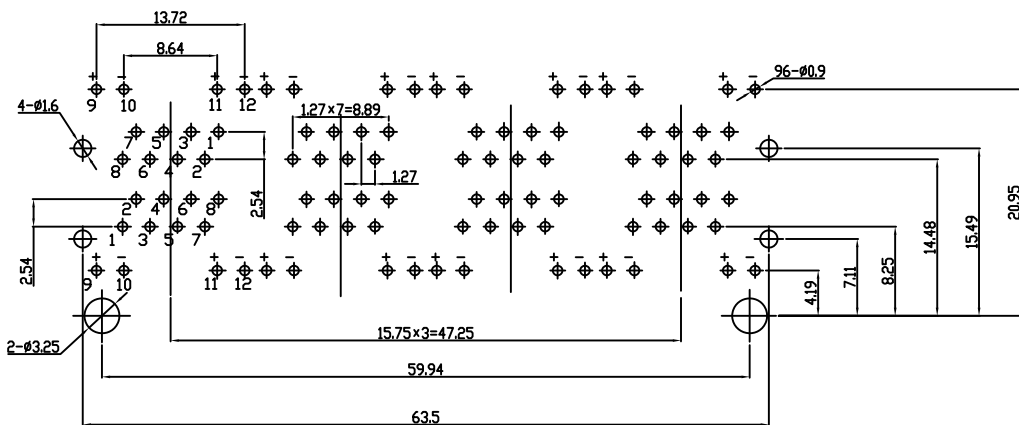
Remark:

1. Tolerances Unless Otherwise Specified  
 .0±0.25 .00±0.20 .000±0.10
2. The mark with ★ is the key inspection dimension for QC

LED COLOUR DISPLAY

LED 极性示意图

S/N	LEFT LED	RIGHT LED
图一	YELLOW 9 → 10	GREEN 11 → 12
图二	GREEN 9 → 10	YELLOW 11 → 12
图三	GREEN 9 → 10	YELLOW 11 → 12
图四	GREEN 9 → 10	GREEN 11 → 12



PC Board Layout

PART NUMBER:

P/N 料号	DESCRIPTION 描述	WATER COLOR 材质	GOLD PLATING 电镀	LED COLOUR DISPLAY LED 颜色
RJ5JC-8824-101111R	5921S LED 2X4 8P8C PCB JACK	PBT BLACK 黑	GF <sup>+</sup>	图一
RJ5JC-8824-102111R	5921S LED 2X4 8P8C PCB JACK	PBT BLACK 黑	GF <sup>+</sup>	图二
RJ5JC-8824-101114R	5921S LED 2X4 8P8C PCB JACK	PBT YELLOW 黄	GF <sup>+</sup>	图一
RJ5JC-8824-101116R	5921S LED 2X4 8P8C PCB JACK	PBT GRAY 灰	GF <sup>+</sup>	图一

REV	ECN NO	DESCRIPTION	DATE	SIGNATURE	PROJECT	DRAWING NO	REV	A0	TITLE
A0		NEW DESIGN	2016/07/22						SEE TABLE
									5921S-LED 2X4 8P8C-D PCB JACK

**X-SHUN** 东莞市祥舜电子科技有限公司  
 DONGGUAN X-SHUN ELECTRONIC TECHNOLOGY CO., LTD  
 TEL: +86 769 81885389 FAX: +86 769 81887859  
 E-Mail: sales@x-shun.com Http: www.x-shun.com