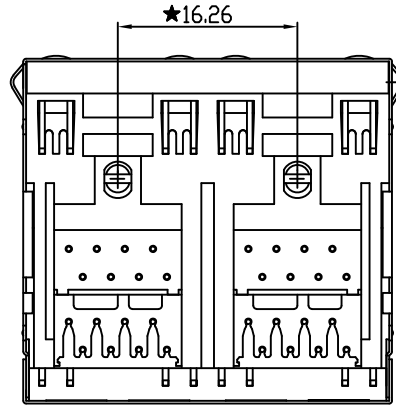
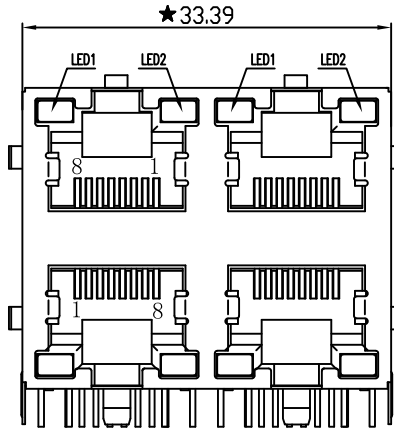


RoHS compliant



NOTES:

ELECTRICAL:

- 1. VOLTAGE RATING : 125 VAC RMS.
- 2. CURRENT RATING : 1.5 AMP.
- 3. CONTACT RESISTANCE : 30 MILLIOHMS MAX.
- 4. INSULATION RESISTANCE : 500 MEGOHMS MIN @ 500 VDC.
- 5. DIELECTRIC STRENGTH : 1000 VAC RMS 50Hz or 60Hz, 1MIN.

MECHANICAL:

- 1. HOUSING & INSERT MATERIAL : PBT UL94V-0.
- 2. CONTACT MATERIAL : DIAMETER 0.45MM PHOSPHOR BRONZE GOLD PLATING OVER NICKEL.
- 3. SHIELD : 0.20 ~ 0.25MM THICKNESS BRASS WITH NICKEL PLATED.
- 4. MATING/UNMATING FORCE : 2.2KG.F MAX.
- 5. RETENTION STRENGTH : 7.7KG.F MIN BETWEEN JACK AND PLUG.
- 6. OPERATING LIFE : 600 CYCLES MIN.

ENVIRONMENTAL:

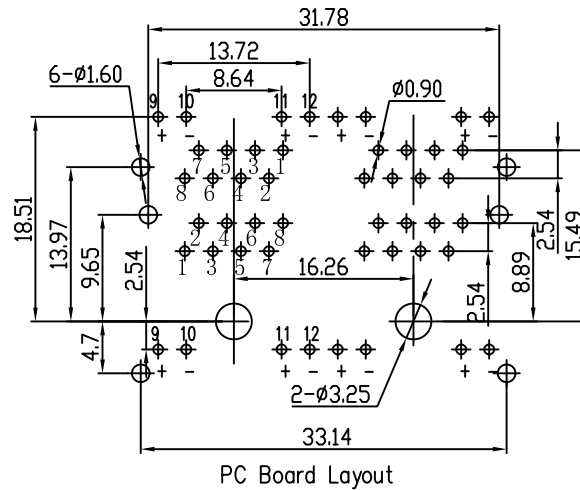
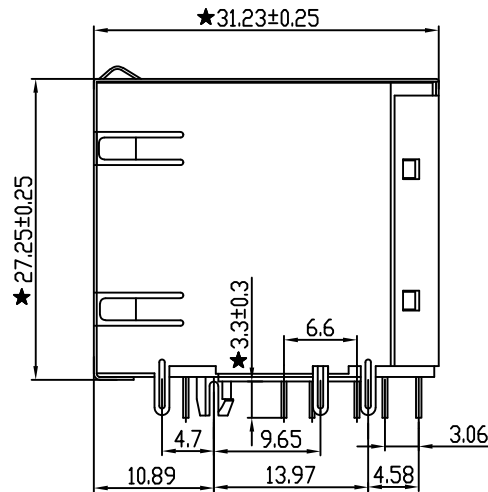
- 1. STORAGE : -40°C ~ +85°C RELATIVE HUMIDITY<70%.
- 2. OPERATION : -40°C ~ +85°C.

Remark:

- 1. Tolerances Unless Otherwise Specified
.0±0.25 .00±0.20 .000±0.10
- 2. The mark with \star is the key inspection dimension for QC

LED COLOUR DISPLAY
LED 极性示意图

S/N	LEFT LED	RIGHT LED
图一	YELLOW 9 \rightarrow 10	GREEN 11 \rightarrow 12
图二	GREEN 9 \rightarrow 10	YELLOW 11 \rightarrow 12
图三	GREEN 9 \rightarrow 10 ORANGE	YELLOW 11 \rightarrow 12
图四	GREEN 9 \rightarrow 10	GREEN 11 \rightarrow 12



PART NUMBER:

P/N 料号	DESCRIPTION 描述	MATER COLOR 材质	LED PLATING 电镀	LED COLOUR DISPLAY LED 颜色说明
RJ59C-8822-11111R	5921S LED 2X2 8P8C-EMI PCB JACK	PBT BLACK 黑	GF"	图一
RJ59C-8822-11211R	5921S LED 2X2 8P8C-EMI PCB JACK	PBT BLACK 黑	GF"	图二
RJ59C-8822-111114R	5921S LED 2X2 8P8C-EMI PCB JACK	PBT YELLOW 黄	GF"	图一
RJ59C-8822-111117R	5921S LED 2X2 8P8C-EMI PCB JACK	PBT BLUE 蓝	GF"	图一

REV	ECN NO	DESCRIPTION	DATE	SIGNATURE	PROJECT	DRAWING NO	REV	A0	TITLE
A0		NEW DESIGN	2016/10/12						5921S LED 2X2 8P8C EMI PCB JACK

X-SHUN 东莞市祥舜电子科技有限公司
DONGGUAN X-SHUN ELECTRONIC TECHNOLOGY CO., LTD
TEL: +86 769 81885389 FAX: +86 769 81887859
E-Mail: sales@x-shun.com Http: www.x-shun.com

PART NO. SEE TABLE