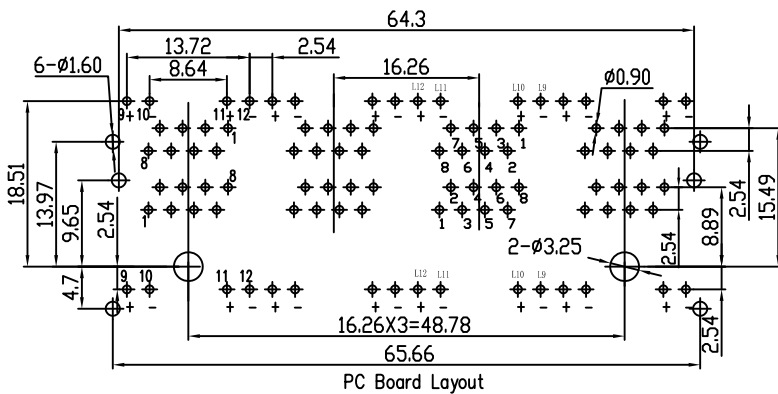
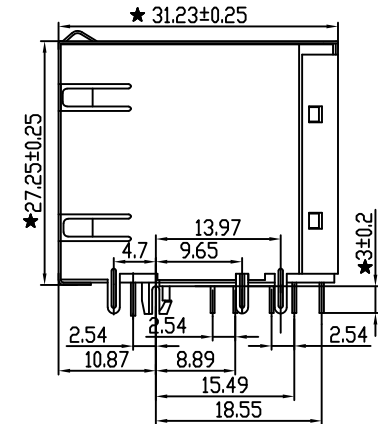
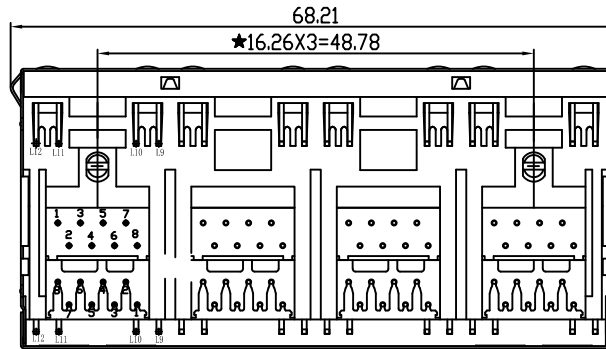
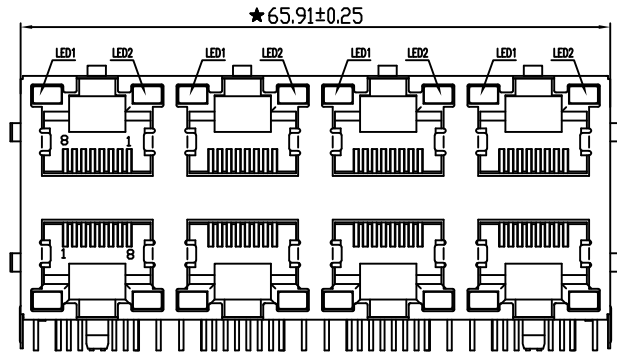


RoHS compliant



LED COLOUR DISPLAY
LED 极性示意图

S/N	LEFT LED	RIGHT LED
图一	YELLOW 9 → 10	GREEN 11 → 12
图二	GREEN 9 → 10	YELLOW 11 → 12
图三	GREEN 9 → 10	YELLOW 11 → 12
图四	ORANGE 9 → 10	GREEN 11 → 12

NOTES:

ELECTRICAL:

- VOLTAGE RATING : 125 VAC RMS.
- CURRENT RATING : 1.5 AMP.
- CONTACT RESISTANCE : 30 MILLIOHMS MAX.
- INSULATION RESISTANCE : 50 MEGOHMS MIN @ 500 VDC.
- DIELECTRIC STRENGTH : 1000 VAC RMS 50Hz or 60Hz, 1MIN.

MECHANICAL:

- CONTACT MATERIAL : DIAMETER 0.45MM PHOSPHOR BRONZE
GOLD PLATING OVER NICKEL.
- MATING/UNMATING FORCE: 2.2KG.F MAX.
- RETENTION STRENGTH : 7.7KG.F MIN BETWEEN JACK AND PLUG.
- OPERATING LIFE : 750 CYCLES MIN.

ENVIRONMENTAL:

- STORAGE : -10°C ~ +40°C RELATIVE HUMIDITY<70%.
- OPERATION : -40°C ~ +70°C.

Remark:

- Tolerances Unless Otherwise Specified
.0±0.25 .00±0.20 .000±0.10
- The mark with ★ is the key inspection dimension for QC

PART NUMBER:

P/N 料号	DESCRIPTION 描述	MATER COLOR 材质	PLD PLATING 镀层	LED COLOUR DISPLAY LED 颜色
RJ59C-8824-111111R	5921S LED 2X4 8P8C-EMI PCB JACK	PBT BLACK 黑	GF"	图一
RJ5JC-8824-112111R	5921S LED 2X4 8P8C-EMI PCB JACK	PBT BLACK 黑	GF"	图二
RJ5JC-8824-111114R	5921S LED 2X4 8P8C-EMI PCB JACK	PBT YELLOW 黄	GF"	图一
RJ5JC-8824-111116R	5921S LED 2X4 8P8C-EMI PCB JACK	PBT GRAY 灰	GF"	图一

REV	ECN NO	DESCRIPTION	DATE	SIGNATURE	PROJECT	DRAWING NO	REV	A0	TITLE
A0		NEW DESIGN	2016/10/12						5921S LED 2X6 8P8C EMI PCB JACK

X-SHUN 东莞市祥舜电子科技有限公司
DONGGUAN X-SHUN ELECTRONIC TECHNOLOGY CO., LTD
TEL:+86 769 81885389 FAX:+86 769 81887859
E-Mail:sales@x-shun.com Http:www.x-shun.com

PART NO. SEE TABLE