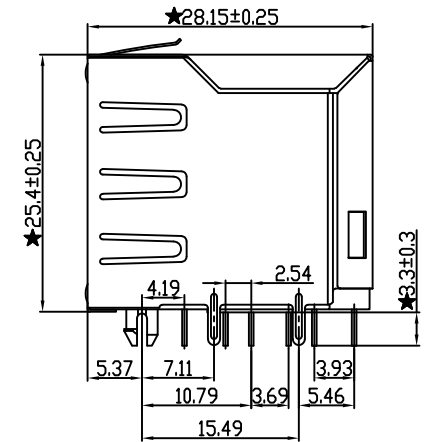
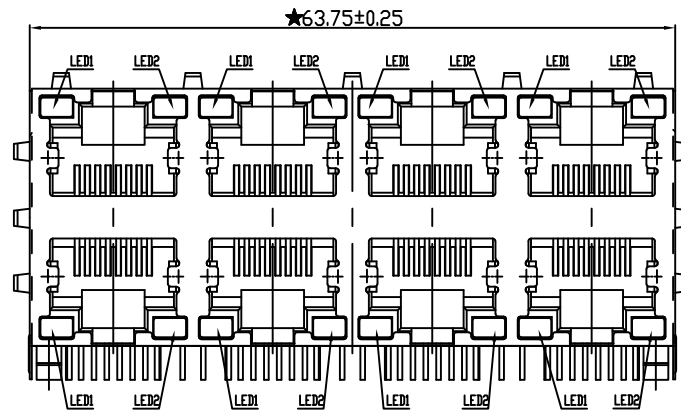
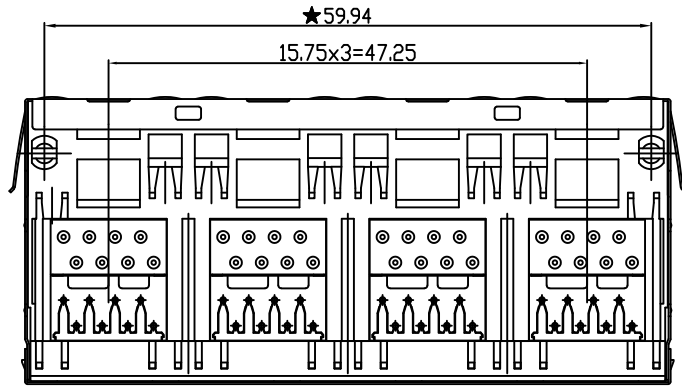


RoHS compliant



NOTES:

ELECTRICAL:

1. VOLTAGE RATING : 125 VAC RMS.
2. CURRENT RATING : 1.5 AMP.
3. CONTACT RESISTANCE : 30 MILLIOHMS MAX.
4. INSULATION RESISTANCE : 500 MEGOHMS MIN @ 500 VDC.
5. DIELECTRIC STRENGTH : 1000 VAC RMS 50Hz or 60Hz, 1MIN.

MECHANICAL:

1. HOUSING & INSERT MATERIAL : PBT UL94V-0.
2. CONTACT MATERIAL : DIAMETER 0.45MM PHOSPHOR BRONZE GOLD PLATING OVER NICKEL.
3. SHIELD : 0.20 ~ 0.25MM THICKNESS BRASS WITH NICKEL PLATED.
4. MATING/UNMATING FORCE : 2.2KG, F MAX.
5. RETENTION STRENGTH : 7.7KG, F MIN BETWEEN JACK AND PLUG.
6. OPERATING LIFE : 600 CYCLES MIN.

ENVIRONMENTAL:

1. STORAGE : -10°C ~ +40°C RELATIVE HUMIDITY<70%.
2. OPERATION : -40°C ~ +85°C.

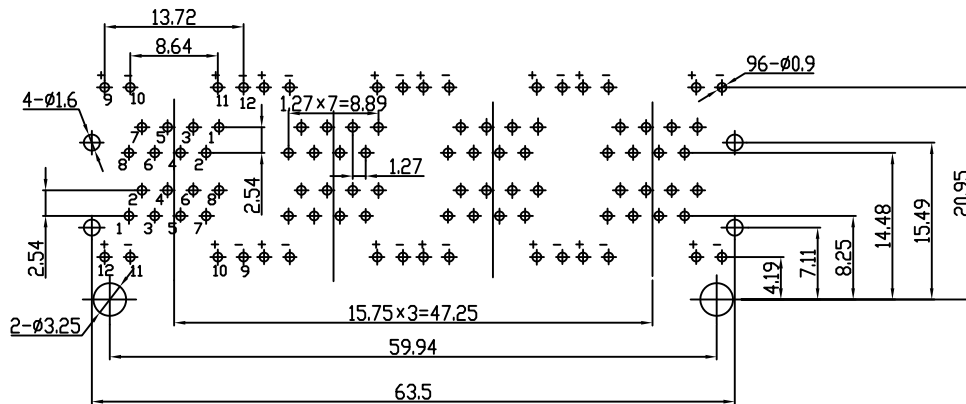
Remark:

1. Tolerances Unless Otherwise Specified
 .0±0.25 .00±0.20 .000±0.10
2. The mark with ★ the key inspection dimension for QC

LED COLOUR DISPLAY

LED 极性示意图

| S/N | LEFT LED | RIGHT LED |
|-----|------------------|-------------------|
| 图一 | YELLOW 9 → 10 | GREEN 11 → 12 |
| 图二 | GREEN 9 → 10 | YELLOW 11 → 12 |
| 图三 | GREEN 9 → 10 | YELLOW 11 → 12 |
| 图四 | ORANGE 9 → 10 | GREEN 11 → 12 |



PC Board Layout

PART NUMBER:

| P/N 料号 | DESCRIPTION 描述 | MATER COLOR 材质 | GOLD PLATING 电镀 | LED COLOUR DISPLAY LED 颜色图 |
|--------------------|-----------------------------------|----------------|-----------------|----------------------------|
| RJ5JC-8824-121111R | 5921S-LED 2X4 8P8C-D EMI PCB JACK | PBT BLACK 黑 | GF* | 图一 |
| RJ5JC-8824-122111R | 5921S-LED 2X4 8P8C-D EMI PCB JACK | PBT BLACK 黑 | GF* | 图二 |
| RJ5JC-8824-121114R | 5921S-LED 2X4 8P8C-D EMI PCB JACK | PBT YELLOW 黄 | GF* | 图一 |
| RJ5JC-8824-121116R | 5921S-LED 2X4 8P8C-D EMI PCB JACK | PBT GRAY 灰 | GF* | 图一 |

| REV | ECN NO | DESCRIPTION | DATE | SIGNATURE | PROJECT | DRAWING NO | REV | A0 | TITLE |
|-----|--------|-------------|------------|-----------|---------|------------|-----|----|--------------------------|
| A0 | | NEW DESIGN | 2016/06/19 | | | | | | 5921S-LED 8P8C-D 2X4 EMI |

X-SHUN 东莞市祥舜电子科技有限公司
 DONGGUAN X-SHUN ELECTRONIC TECHNOLOGY CO., LTD
 TEL: +86 769 81885389 FAX: +86 769 81887859
 E-Mail: sales@x-shun.com Http: www.x-shun.com

PART NO. SEE TABLE

GENERAL TOLERANCE
 .X ±0.35 X.° ± 2°
 .XX ±0.25 .X° ± 1°
 .XXX ±0.15 .XX° ± 0.5°

DRAWN: *Sena Li* 2016/06/19
 CHECKED: SC
 APPROVED: [Signature]