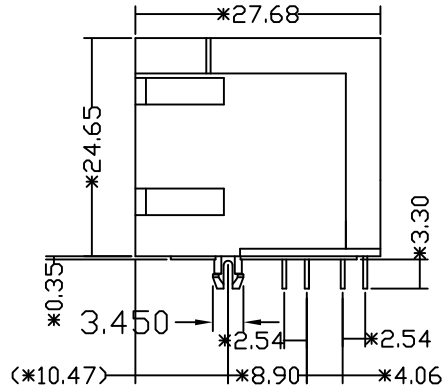
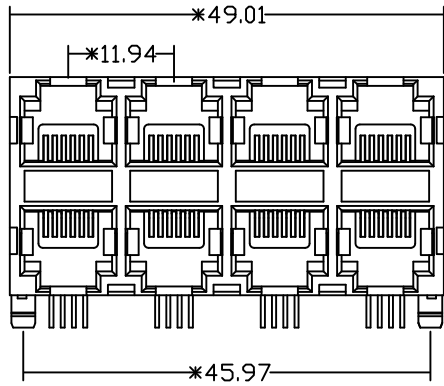


RoHS compliant



NOTES:

ELECTRICAL:

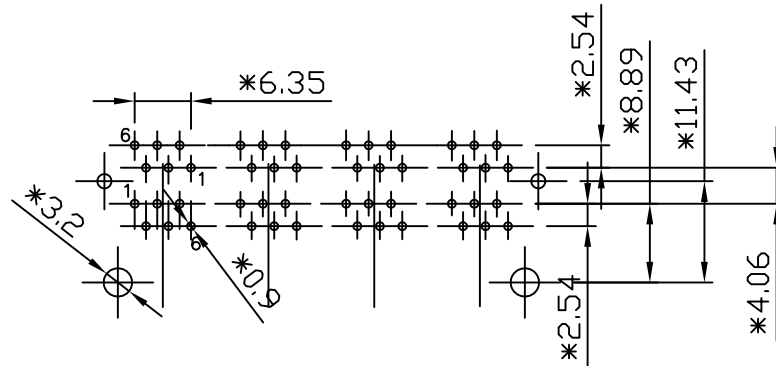
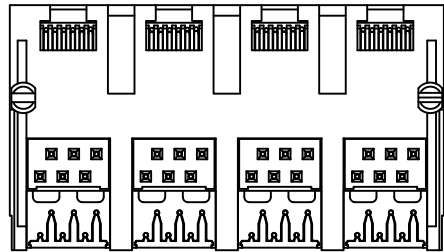
1. VOLTAGE RATING: 125V AC.
2. CURRENT RATING: 1.5A.
3. CONTACT RESISTANCE: 30 mΩ MAX.
4. INSULATION RESISTANCE: 500 MΩ MIN @ 500V DC.
5. DIELECTRIC STRENGTH: 1000V AC 50Hz or 60Hz, 1MIN.

MECHANICAL:

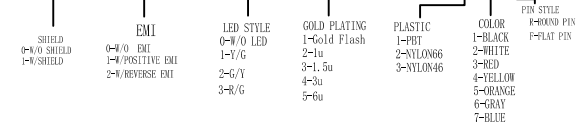
1. INSERT MATERIAL: UL94V-0.
2. CONTACT MATERIAL: DIAMETER 0.46mm C51000(QSn4-0.3) PHOSPHOR BRONZE GOLD PLATING OVER NICKEL.
3. MATING/UNMATING FORCE: 2.2KG.F MAX.
4. RETENTION STRENGTH: 7.7KG.F MIN BETWEEN JACK AND PLUG.
5. OPERATING LIFE: 750 CYCLES MIN.

ENVIRONMENTAL:

1. STORAGE: -40°C ~ +85°C RELATIVE HUMIDITY<70%.
2. OPERATION: -40°C ~ +85°C.



P/N:RJ59B-6624-000111R



PC BOARD COMPONENT SIDE SHOWN

				GENERAL TOLERANCE		DRAWN		Gene Li		2017/12/08		东莞市祥舜电子科技有限公司 DONGGUAN X-SHUN ELECTRONIC TECHNOLOGY CO., LTD			
				.X	±0.35	X.°	± 2°	CHECKE		HY					
A0				NEW DESIGN		2017/12/08						TITLE:		5921 2X4 6P6C	
REV	ECN NO	DESCRIPTION	DATE	SIGNATURE	PROJECT	UNIT	mm	SCALE	1:1	SHEET	1/1	REV	A0	DRAWING NO.	RJ59B-67