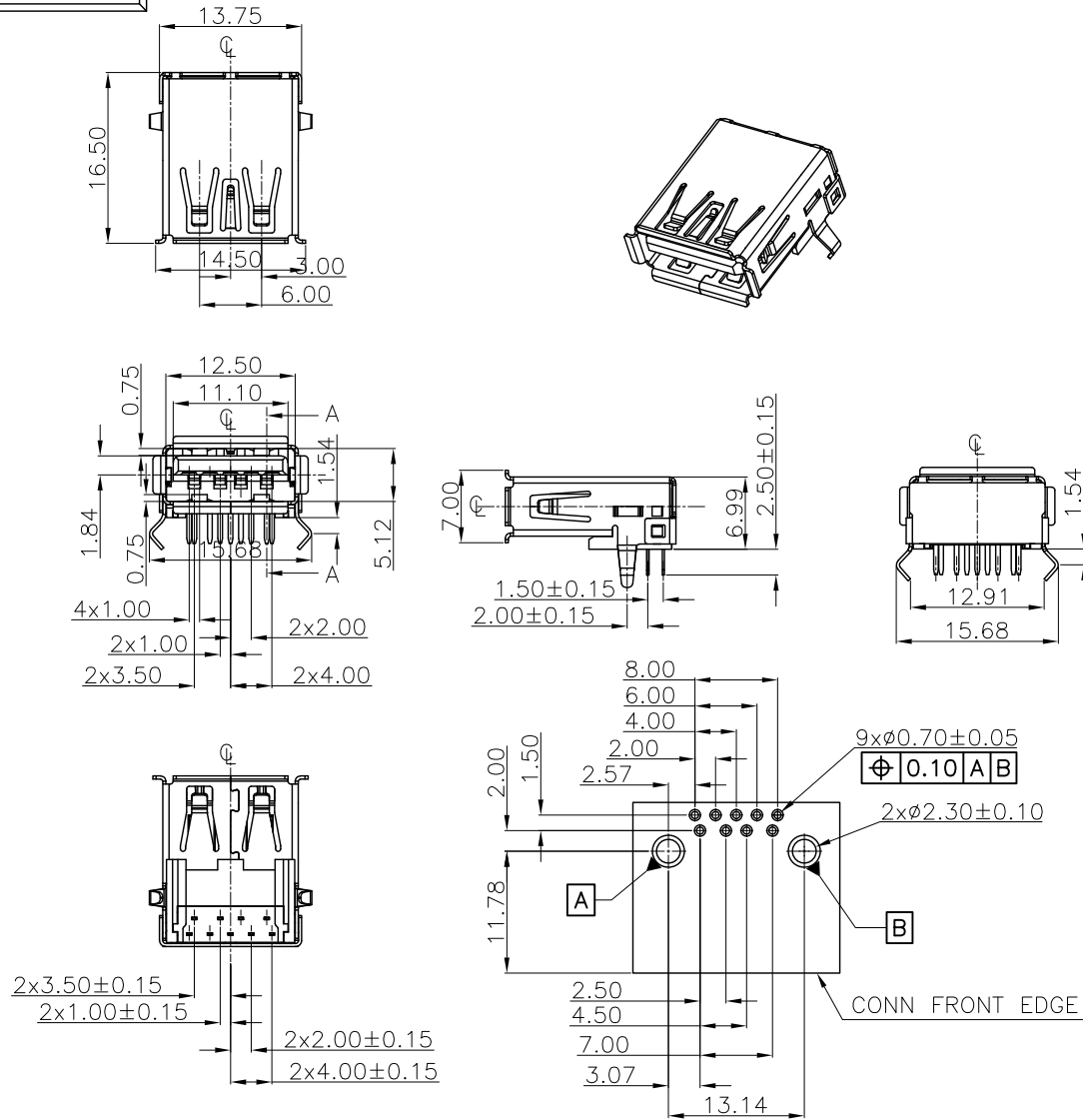


RoHS compliant



RECOMMENDED P.C.B LAYOUT(±0.05)

NOTES:

1.ELECTRONIC:

CONTACT RESISTANCE: 30mohm MAX
INSULATION RESISTANCE: 1000 Mohm MIN
WITHSTAND VOLTAGE:AC 500V,1min.

2.MECHANICAL:

DURABILITY: 1500 CYCLE.

3.ENVIRONMENT CHARACTERISTICS:

OPERATING TEMPERATURE:-55°C TO +105°C

4.RECOMMANDER PCB THICKNESS 1.2 TO 1.60MM

No.	PART NAME	QTY	MATERIAL	REMARK
5	SHELL	1	COPPER ALLOY	NI PLATED
4	5PIN	5	COPPER ALLOY	AU/TIN PLATED
3	4PIN	4	COPPER ALLOY	AU/TIN PLATED
2	COVER	1	THERMOPLASTIC	(UL 94V-0) BLUE
1	HOUSING	1	THERMOPLASTIC	(UL 94V-0) BLUE

USB Female V UF-A001- L 01 XX X-X XX
Housing Color: B-Black, L-Blue
PLATING:
L1-[1μ"]GOLD CONTACT AREA
[100μ"]TIN SOLDER AREA
L2-[3μ"]GOLD CONTACT AREA
[100μ"]TIN SOLDER AREA
L3-[5μ"]GOLD CONTACT AREA
[100μ"]TIN SOLDER AREA
Remark:
C1-铜壳有边
S1-铁壳有边
Housing Material:
L-LCP
P-PBT
Packing:
T-Tray

REV	ECN NO	DESCRIPTION	DATE	SIGNATURE	PROJECT	DRAWING NO	REV	A0	TITLE
A0		NEW DESIGN	2016/03/23						USB3.0 A母90度

X-SHUN 东莞市祥舜电子科技有限公司
DONGGUAN X-SHUN ELECTRONIC TECHNOLOGY CO., LTD
TEL:+86 769 81885389 FAX:+86 769 81887859
E-Mail:sales@x-shun.com Http:www.x-shun.com

PART NO. VUF-A001-L01L1TP-XX

TITLE USB3.0 A母90度