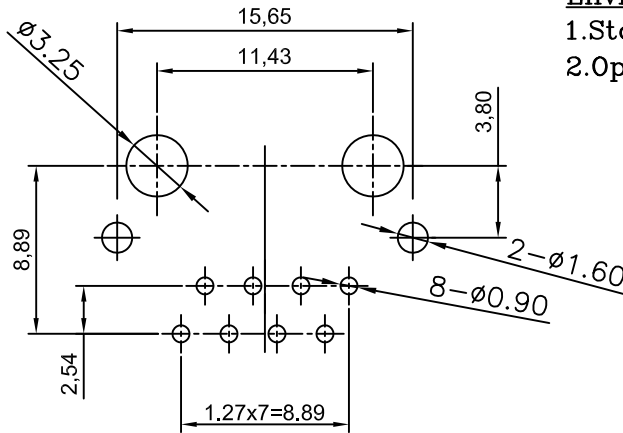
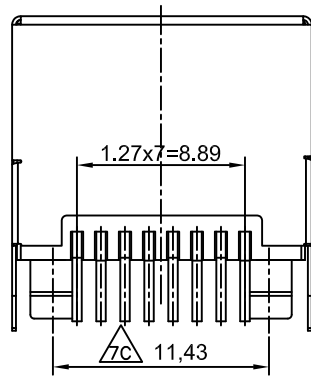
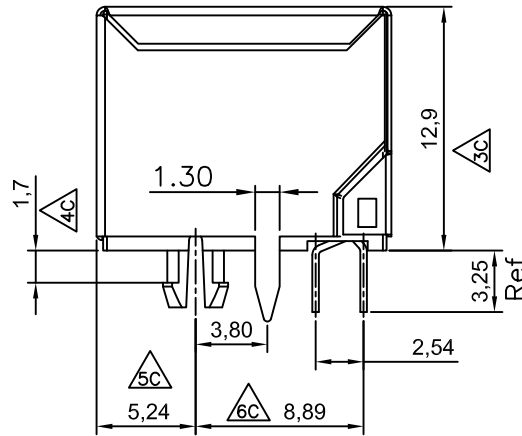
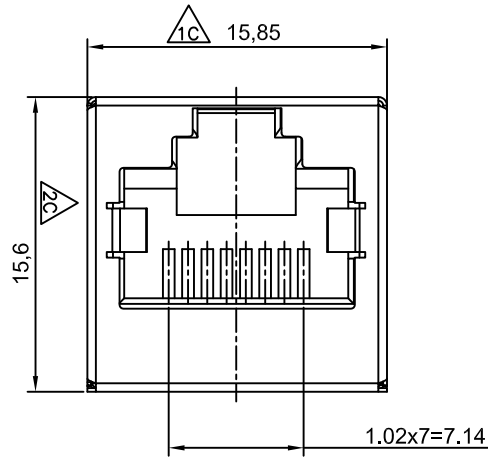


RoHS compliant



PCB LAYOUT/TOP VIEW

MATERIALS:

PLASTIC HOUSING: ENGINEERING THERMOPLASTIC
FLAMMABILITY RATING UL 94V-0.

CONTACTS: PHOSPHOR BRONZE

PLATING: GOLD PLATING OVER NICKEL IN CONTACT.
TIN PLATING OVER NICKEL IN SOLDER AREA.

SHIELDED: BRASS WITH NICKEL PLATED

Electrical:

- 1.Voltage Rating:125 Vac Rms.
- 2.Current Rating:1.5 Amp.
- 3.Contact Resistance:40 Milliohms Max.
- 4.Insulation Resistance:1000 Megohms Min @500 Vdc.
- 5.Dielectric Strength:1000 Vac Rms 60Hz, 1Min.

Mechanical:

1.Operating:750 Cycles Min.

Environmental:

- 1.Storage:-40°C To +85°C.
- 2.Opertion:-40°C To +85°C.

黑壳红基座:

- 6u" P/N RJ52F-8811-122511X
- 15u" P/N RJ52F-8811-122611X
- 30u" P/N RJ52F-8811-122711X
- 50u" P/N RJ52F-8811-122811X

				GENERAL TOLERANCE		DRAWN		Gene Li		东莞市祥舜电子科技有限公司 DONGGUAN X-SHUN ELECTRONIC TECHNOLOGY CO., LTD	
				.X ±0.35	X.° ± 2°	CHECKE					
A0	NEW DESIGN					APPROVE				PART NO. RJ52F-8811-122511X	
REV	ECN NO	DESCRIPTION	DATE	SIGNATURE	PROJECT	UNIT: mm	SCALE: 1:1	SHEET: 1/1	REV: A0	TITLE: RJ45 8P8C TOP ENTRY PCB JACK (52F 8P8C)	