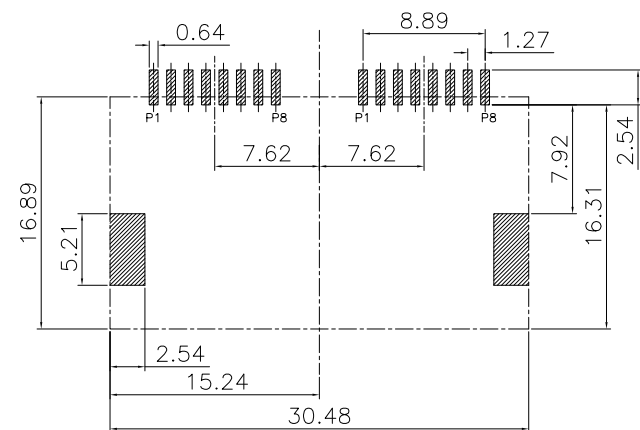
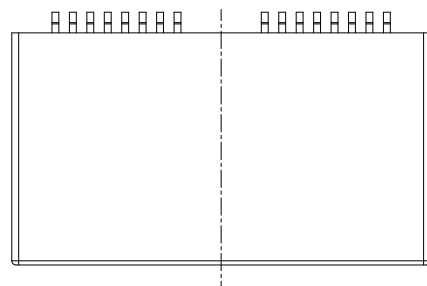
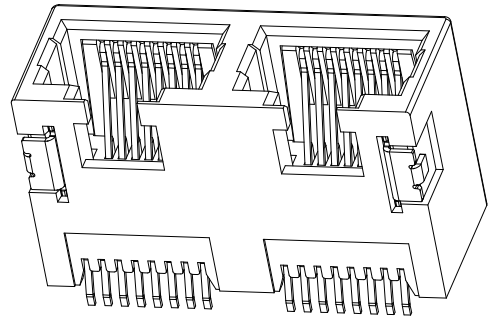
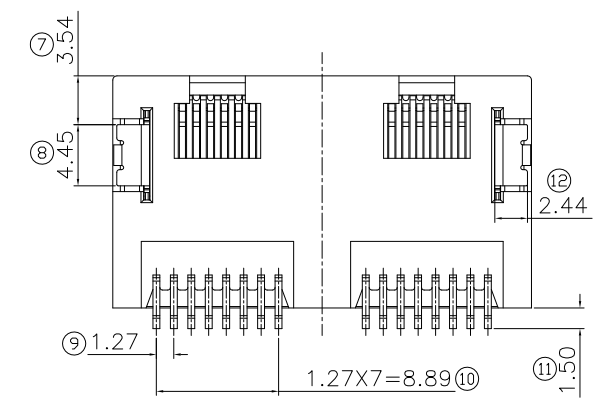
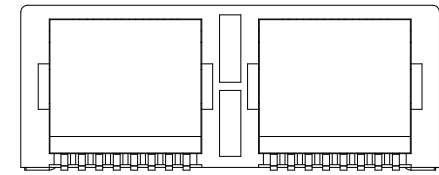
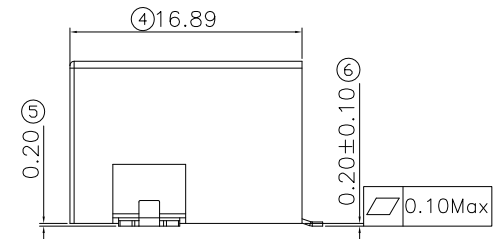
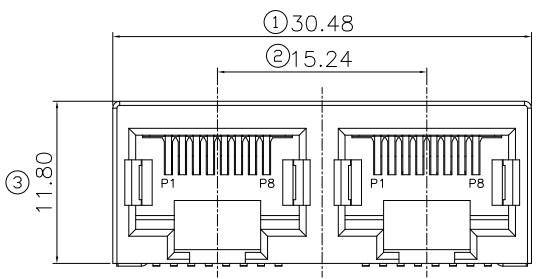


RoHS compliant

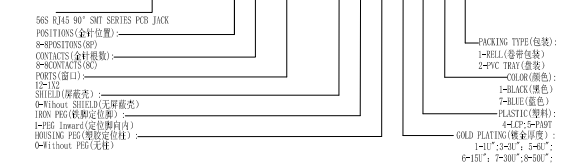


RECOMMENDED P.C.B LAYOUT TOP VIEW (COMPONENT SIDE)



- SPECIFICATION NOTES:
- ELECTRICAL:
- VOLTAGE RATING: 150 VAC RMS
 - CURRENT RATING: 1.5AMP
 - CONTACT RESISTANCE: 20mΩ MAX
 - INSULATION RESISTANCE: 500mΩ MIN AT 500V DC
 - DIELECTRIC STRENGTH: 1500 V AC TO 1000 V AC RMS@ 0.5mA 50Hz TO 60Hz 1 MINUTE
- MECHANICAL:
- HOUSING/INSERT MATERIAL: THERMOPLASTIC, LCP UL94V-0 RATED, COLOR BLACK
 - CONTACT TERMINAL: Phosphor bronze T=0.30 PLATING NI30-50U", SN 100U"MIN. CONTENT AREA PLATED GOLD
 - SMT PIN MATERIAL: Copper Alloy T=0.40 PLATED NI30-50U", SN100U"MIN
 - OPERATING LIFE: 750 CYCLES MIN.
 - MATING/UNMATING FORCE: 30N MAX
 - RETENTION STRENGTH: 50N FOR60S±5S.
- ENVIRONMENTAL:
- STORAGE: -40°C TO +85°C RELATIVE HUMIDITY<80%.
 - OPERATION: -40°C TO +85°C

P/N: RJ56S-8812-010X41X



				GENERAL TOLERANCE		DRAWN		Gene Li		2023/04/11	
				.X	±0.35	X.°	± 2°	CHECKE		YGL	
				.XX	±0.25	.X°	± 1°	APPROVE			
				.XXX	±0.15	.XX°	± 0.5°				
				PROJECT		UNIT		mm		SCALE	
						1:1		SHEET			

X-SHUN 东莞市祥舜电子科技有限公司
DONGGUAN X-SHUN ELECTRONIC TECHNOLOGY CO., LTD

PART NO. RJ56S-8812-010X41X

TITLE: RJ45 8P8C 1X2 90° SMT TYPE

REV A0

WEB: WWW.X-SHUN.COM EMAIL: SALES@X-SHUN.COM

A0		NEW DESIGN	2023/04/11		
REV	ECN NO	DESCRIPTION	DATE	SIGNATURE	