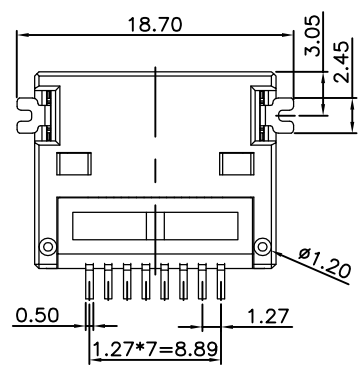
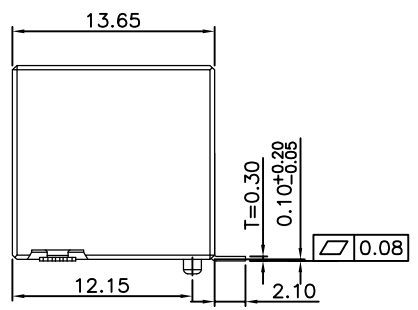
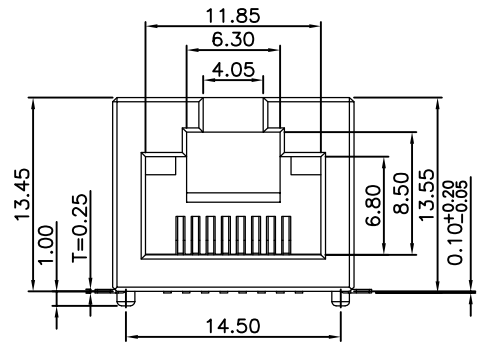
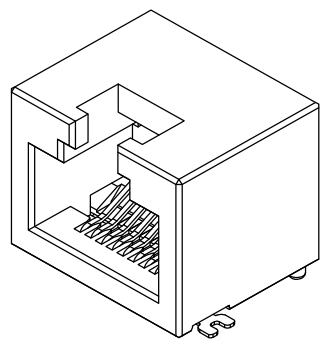
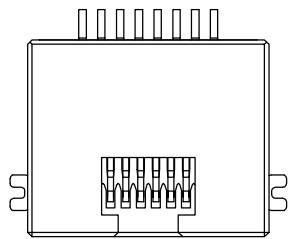
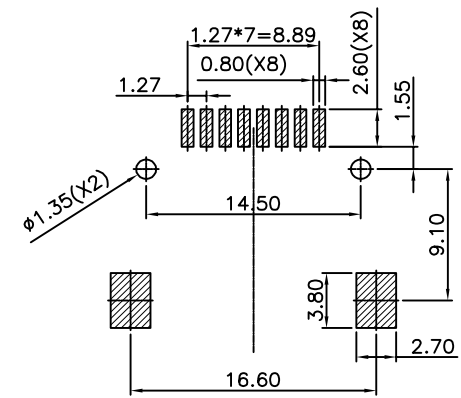


RoHS compliant



NOTES:

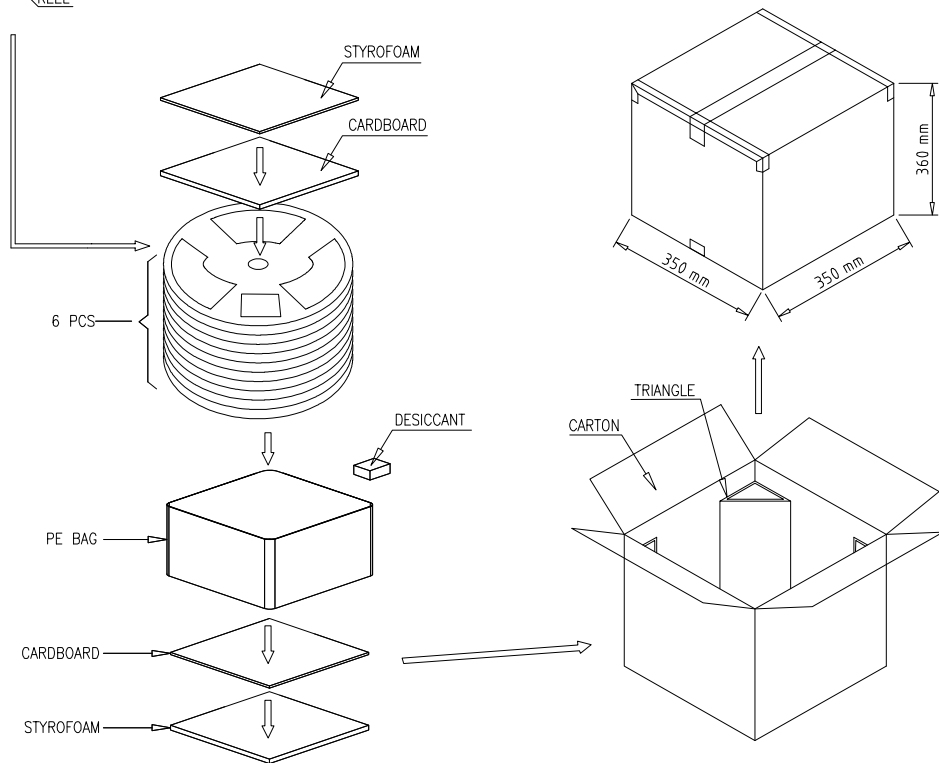
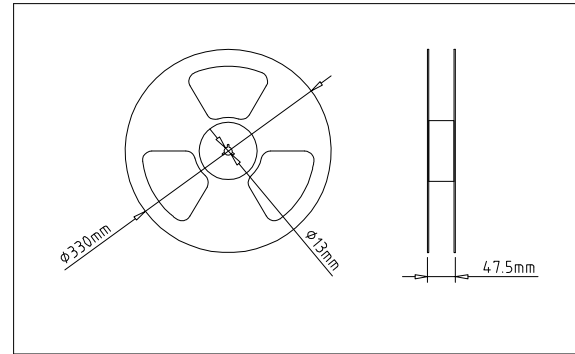
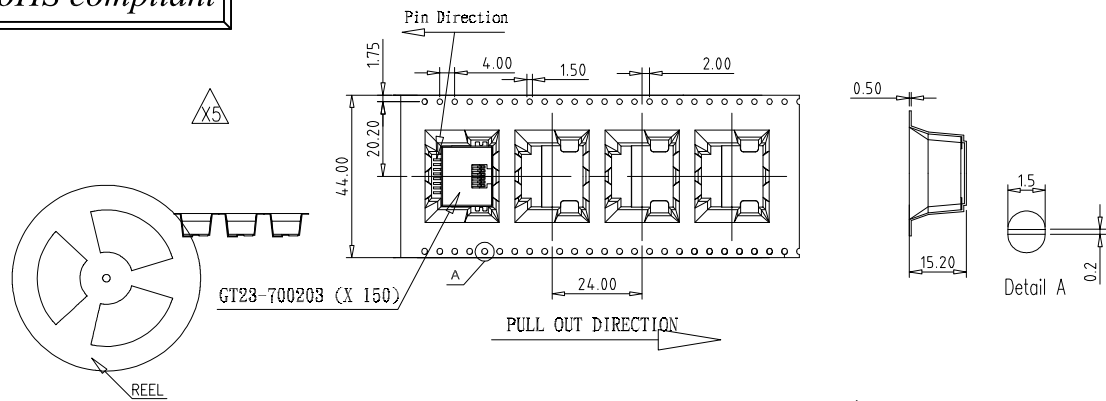
1. MATERIALS:
  - 1.1 HOUSING: LCP, UL 94V-0, BLACK.
  - 1.2 ALIGNER: LCP, UL 94V-0, BLACK.
  - 1.3 CONTACTS: T=0.30 mm PHOSPHOR BRONZE, 50u" NICKEL UNDERPLATE, 80u" MATTE TIN ON SOLDER TAIL, GOLD FLASH ON CONTACT AREA.
  - 1.4 FIXING PLATE: BRASS, T=0.25mm, 50u" NICKEL UNDERPLATE, 80u" MATTE TIN.
2. TOLERANCES COMPLY WITH EIA-968 DIMENSION REQUIREMENTS
3. WAVE SOLDER COMPATIBLE FOR 265°C FOR 10 SECONDS
3. CONTACT AND TAIL COPLANARITY TO BE 0.15mm MAX.



RECOMMENDED PCB LAYOUT  
 Layout Tolerance = ±0.05 mm  
 PCB THICKNESS = 1.60mm  
 Stencils area relative to pad area:  
 Length: 1.2:1    Width: 1:1

				GENERAL TOLERANCE		DRAWN	<i>Sena Li</i>	2023/05/11	<b>东莞市祥舜电子科技有限公司</b> DONGGUAN X-SHUN ELECTRONIC TECHNOLOGY CO., LTD					
				.X ±0.35	X.° ± 2°	CHECKE								
				.XX ±0.25	.X° ± 1°	APPROVE			PART NO.	RJ5JS-8811-001111R-E				
				.XXX ±0.15	.XX° ± 0.5°				TITLE:	RJ45 8P8C 1X1 90° SMT TYPE				
REV	ECN NO	DESCRIPTION	DATE	SIGNATURE	PROJECT	UNIT	mm	SCALE	1:1	SHEET	REV	A0	WEB:WWW.X-SHUN.COM	EMAIL:SALES@X-SHUN.COM

RoHS compliant



NOTES:

- 每卷CARRIER TYPE 前后各留 15 PCS 空格或 30CM 以上不使用。  
DON'T USE IN FRONT OF 15 PCS AND IN  
END OF 30 CM AREA ON EACH CARRIER TYPE ROLL.
- 每卷CARRIER TYPE 放置150个GT23-700203。  
EACH CARRIER TYPE ROLL PUT 150 PCS GT23-700203.
- 每 6 卷CARRIER TYPE 用1个OUTSIDE CARTOON。  
EACH SIX CARRIER TYPE ROLL USE ONE OUTSIDE CARTOON.

				GENERAL TOLERANCE		DRAWN		Gene Li		2023/05/11		<b>东莞市祥舜电子科技有限公司</b> DONGGUAN X-SHUN ELECTRONIC TECHNOLOGY CO., LTD			
				.X	±0.35	X.°	± 2°	CHECKE						PART NO. RJ5JS-8811-001111R-E	
A0				NEW DESIGN		2023/05/11						TITLE: RJ45 8P8C 1X1 90° SMT TYPE			
REV	ECN NO	DESCRIPTION	DATE	SIGNATURE	PROJECT	UNIT	mm	SCALE	1:1	SHEET		REV	A0	WEB:WWW.X-SHUN.COM	EMAIL:SALES@X-SHUN.COM