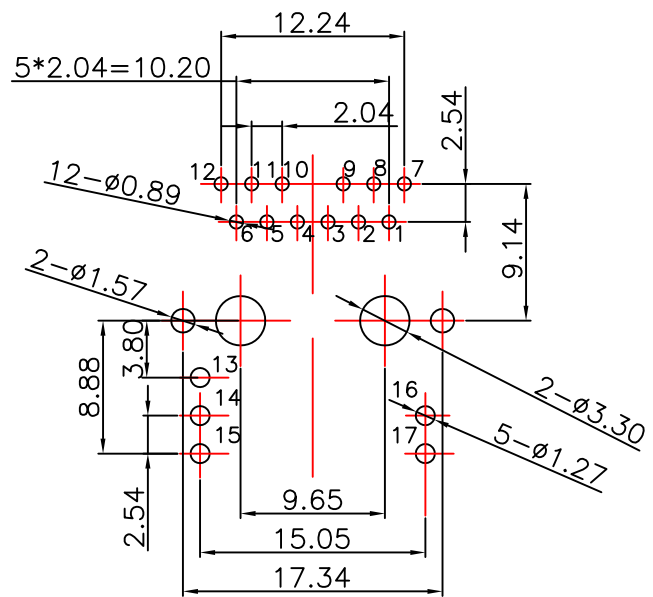
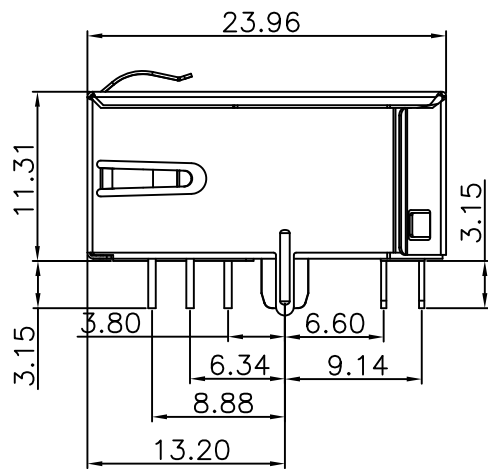
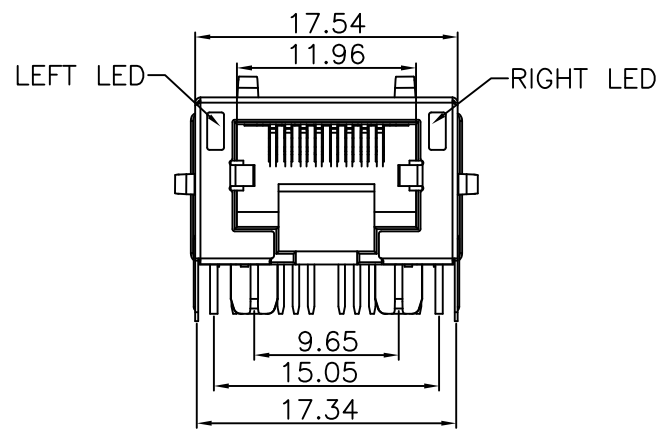
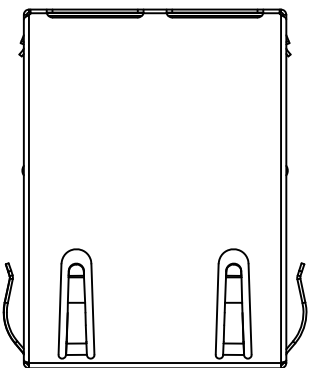
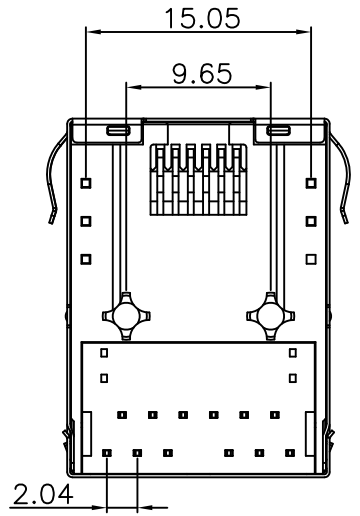


RoHS compliant



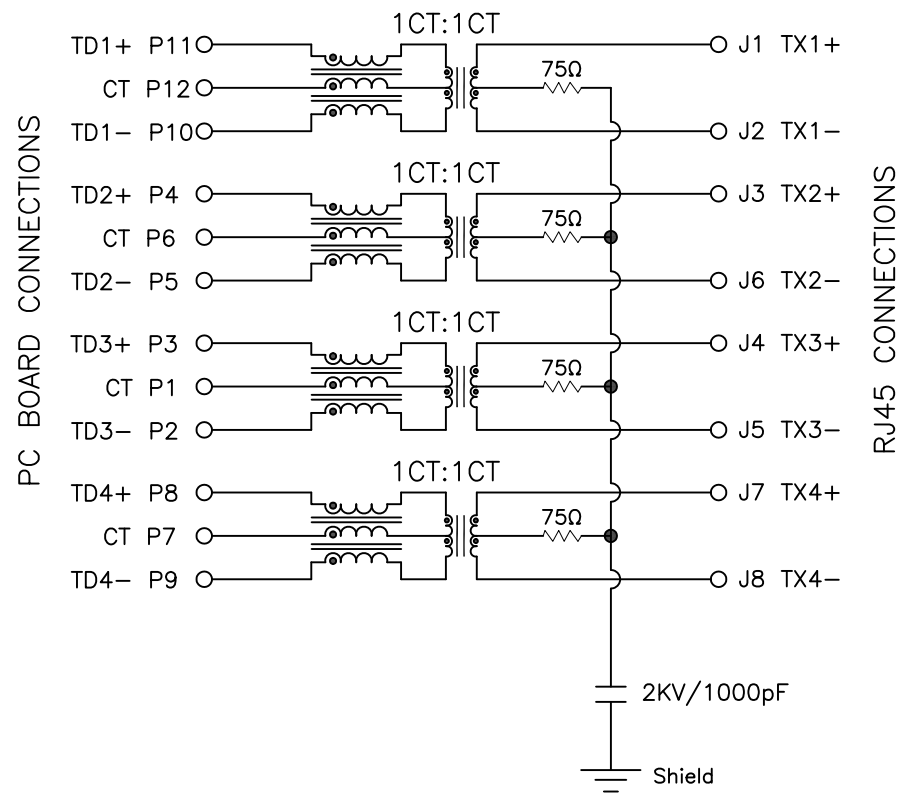
Recommended PCB Layout
(Tolerance: ±0.05)



1. Material:
 - 1.1 Housing: LCP UL94V-0 Black.
Insert: LCP UL94V-0 Black.
 - 1.2 Shell: 30u" Ni Over Brass(C2680), T=0.20mm.
 - 1.3 RJ45 Terminal: Phosphor Bronze(C5191) T=0.35mm
Plating: 30u" Gold Plated On Contact Area,
80u" ~120u" Tin Plated On Solder Area,
50u" ~80u" Ni Underplated Overall.
 - 1.4 Tail Terminal: Brass(C2680) T=0.35mm,
Plating: 80u" ~120u" Tin Plated Over,
30u" ~50u" Ni Underplated Overall.
2. Environmental requirements:
 - 2.1 Lead-free process, compliant RoHS.

				GENERAL TOLERANCE		DRAWN		Gene Li		2025.07.24		东莞市祥舜电子科技有限公司 DONGGUAN X-SHUN ELECTRONIC TECHNOLOGY CO., LTD			
				.X ±0.35	X.° ± 2°	CHECKE								PART NO.	20H12P-133U-WH01
A0				NEW DESIGN		2025.07.24						TITLE:		RJ45 TAB-DOWN 1X1 10G WITH LED&SHIELD	
REV	ECN NO	DESCRIPTION	DATE	SIGNATURE	PROJECT	UNIT	mm	SCALE	1:1	SHEET	1/3	REV	A0	WEB:WWW.X-SHUN.COM	EMAIL:SALES@X-SHUN.COM

RoHS compliant

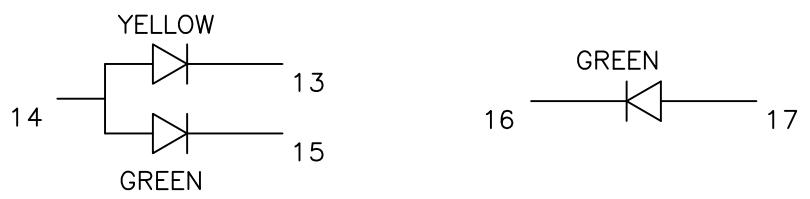


3. Electrical Specification @25°C:

- 3.1 Inductance: 120uH Min With 8mA DC bias.
- 3.2 Insertion loss :
 - 1-65MHZ -0.5dB max.
 - 65-125MHZ -0.8dB max.
 - 125-400MHZ -1.7dB max.
 - 400-500MHZ -3.4dB max.
- 3.3 Return loss :
 - 1-100MHZ -22dB min.
 - 200MHZ -18dB min.
 - 300MHZ -15dB min.
 - 400MHZ -10dB min.
 - 500MHZ -8dB min.
- 3.4 Common Mode Rejection:
 - 1-100MHZ -30dB min.
 - 100-300MHZ -25dB min.
 - 300-500MHZ -20dB min.
- 3.5 Cross Talk:
 - 1-100MHZ -42dB min.
 - 100-500MHz -26dB min.

4. Operating and Storage Temperature:

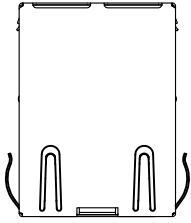
- 4.1 Operating Temperature : -40°C to +85°C.
 - 4.2 Storage Temperature : -40°C to +85°C.
5. Wave soldering peak temperature: 260°C.



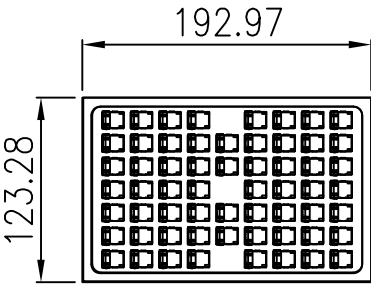
Emitting Color	λp(nm)	Vf@If=20mA
Green	565	1.8-2.5V
YELLOW	585	1.8-2.5V

				GENERAL TOLERANCE		DRAWN		Gene Li		2025.07.24		东莞市祥舜电子科技有限公司 DONGGUAN X-SHUN ELECTRONIC TECHNOLOGY CO., LTD		
				.X ±0.35 X.° ± 2°		CHECKE								PART NO. 20H12P-133U-WH01
A0				NEW DESIGN		2025.07.24						TITLE: RJ45 TAB-DOWN 1X1 10G WITH LED&SHIELD		
REV	ECN NO	DESCRIPTION	DATE	SIGNATURE	PROJECT	UNIT	mm	SCALE	1:1	SHEET	2/3	REV	A0	WEB:WWW.X-SHUN.COM EMAIL:SALES@X-SHUN.COM

RoHS compliant

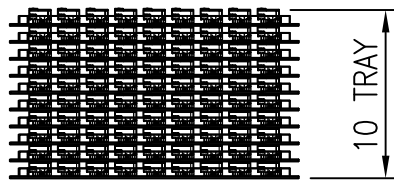


PRODUCT

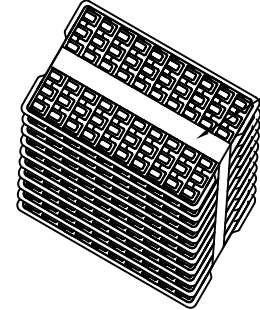


TRAY

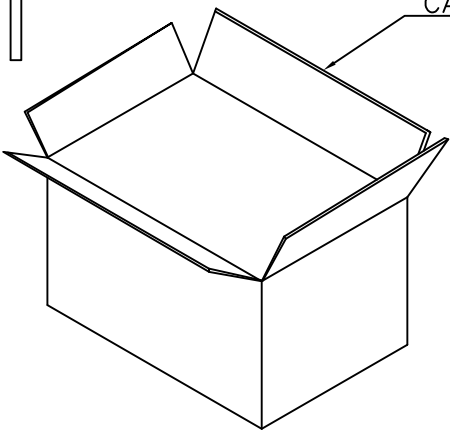
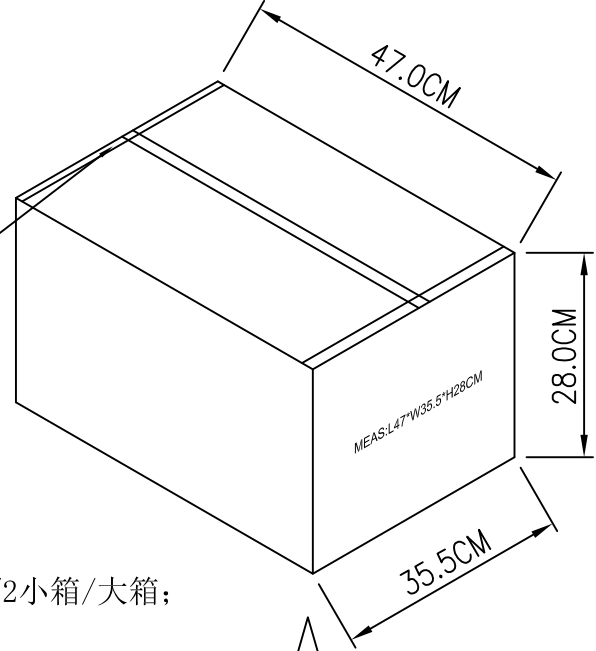
- 备注:
1. 包装数量60 PCS/盘, 10盘/小箱, 1200 PCS/2小箱/大箱;
 2. 纸箱封盖后以封箱胶封箱, 并于侧面贴上出货及条码标签;
 3. 外箱规格: 470*355*280mm; 材质: A=A



10 TRAY



PE FILM



CARTON

				GENERAL TOLERANCE		DRAWN		Gene Li		2025.07.24		东莞市祥舜电子科技有限公司 DONGGUAN X-SHUN ELECTRONIC TECHNOLOGY CO., LTD			
				.X ±0.35	X.° ± 2°	CHECKE								PART NO.	20H12P-133U-WH01
A0				NEW DESIGN		2025.07.24						TITLE:		RJ45 TAB-DOWN 1X1 10G WITH LED&SHIELD	
REV	ECN NO	DESCRIPTION	DATE	SIGNATURE	PROJECT	UNIT mm		SCALE	1:1	SHEET	3/3	REV	A0	WEB:WWW.X-SHUN.COM	EMAIL:SALES@X-SHUN.COM