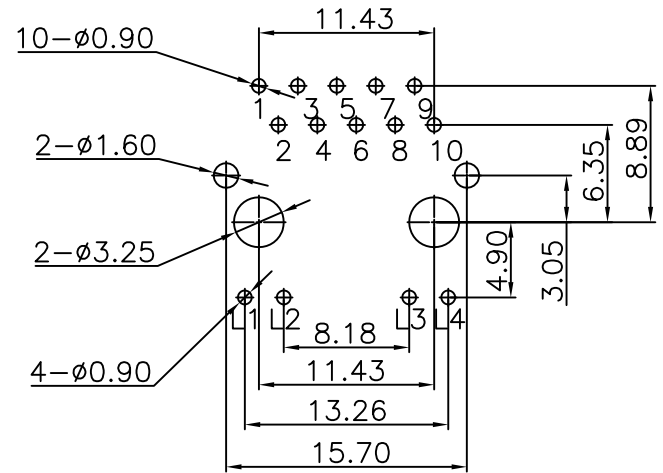
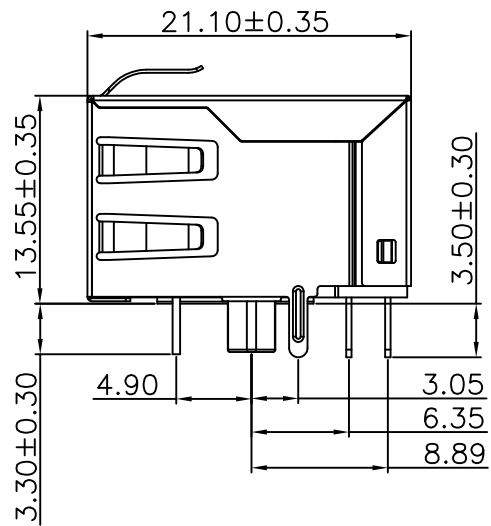
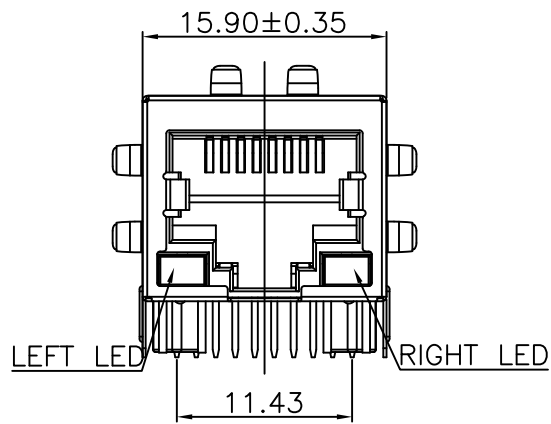
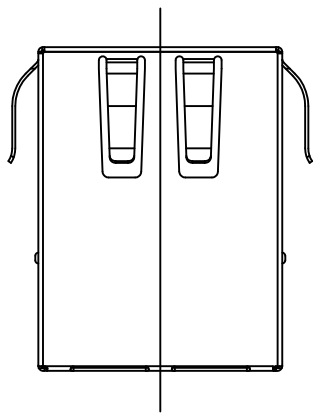
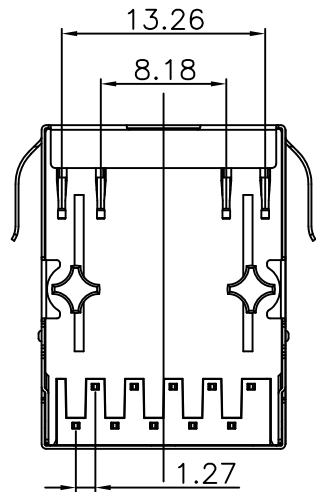


RoHS compliant



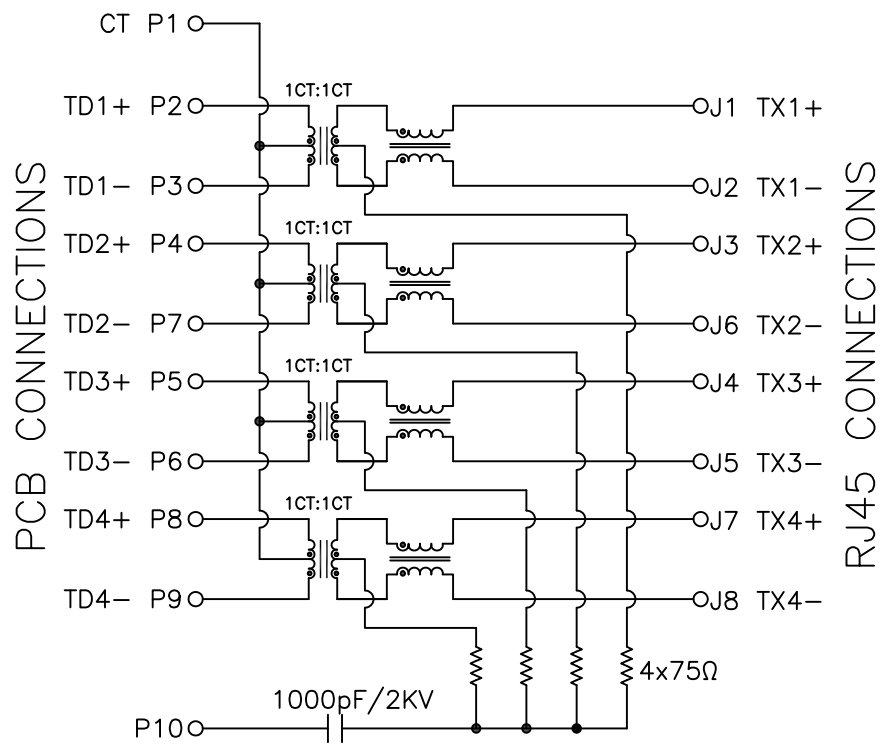
Recommended PCB Layout
(Tolerance:±0.05)



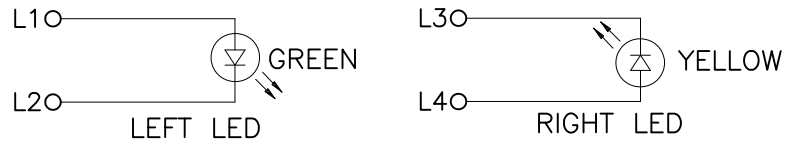
- 1.Material:
- 1.1 Housing: PBT UL94V-0 Black.
Insert: PBT UL94V-0 Black.
 - 1.2 Shell: SUS.
 - 1.3 RJ45 Terminal:Phosphor Bronze(C5191) T=0.35mm
Plating:6u" Gold Plated On Contact Area,
80u" ~120u" Tin Plated On Solder Area,
50u" ~80u" Ni Underplated Overall.
 - 1.4 Tail Terminal: Brass(C2680) T=0.35mm,
Plating: 80u" ~120u" Tin Plated Over,
30u" ~50u" Ni Underplated Overall.
- 2.Environmental requirements:
- 2.1 Lead-free process,compliant RoHS.

				GENERAL TOLERANCE		DRAWN		Gene Li		2025/02/07		东莞市祥舜电子科技有限公司 DONGGUAN X-SHUN ELECTRONIC TECHNOLOGY CO., LTD	
				.X ±0.35 X.° ± 2°		CHECKE							
A0				NEW DESIGN		2025/02/07						TITLE: RJ45 TAB-DOWN 2.5G BASE 1X1 W/LED W/SHIELD	
REV				ECN NO		DESCRIPTION		DATE		SIGNATURE		PROJECT	
												UNIT mm SCALE 1:1 SHEET 1/3 REV A0	
												WEB:WWW.X-SHUN.COM EMAIL:SALES@X-SHUN.COM	

RoHS compliant



3. Electrical Specification @25°C:
- 3.1 Inductance: 180uH Min With 8mA DC bias.
 - 3.2 Insertion loss :
 - 1-50MHZ -0.5dB max.
 - 50-125MHZ -1dB max.
 - 125-200MHZ -2dB max.
 - 3.3 Return loss :
 - 1-40MHZ -20dB min.
 - 40-200MHZ -20+15*log(Freq MHz/40MHz) dB min.
 - 3.4 Common Mode Rejection:
 - 1-50MHZ -35dB min.
 - 125MHZ -30dB min.
 - 200MHZ -25dB min.
 - 3.5 Cross Talk:
 - 1-40MHZ -35dB min.
 - 40~125MHZ -35+15log((Freq MHz/40MHz)) dB min.
4. Operating and Storage Temperature:
- 4.1 Operating Temperature : -40°C to +85°C.
 - 4.2 Storage Temperature : -40°C to +85°C.
5. Wave soldering peak temperature: 260°C.

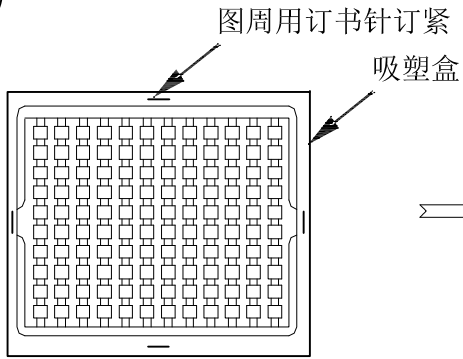


Emitting Color	λ_p (nm)	$V_f@I_f=20mA$
Green	565	1.8-2.5V
YELLOW	585	1.8-2.5V

				GENERAL TOLERANCE		DRAWN		Gene Li		2025/02/07		东莞市祥舜电子科技有限公司 DONGGUAN X-SHUN ELECTRONIC TECHNOLOGY CO., LTD	
				.X ±0.35 X.° ± 2°		CHECKE							
A0				NEW DESIGN		2025/02/07						TITLE: RJ45 TAB-DOWN 2.5G BASE 1X1 W/LED W/SHIELD	
REV		ECN NO		DESCRIPTION		DATE		SIGNATURE		PROJECT		UNIT mm SCALE 1:1 SHEET 2/3 REV A0 WEB:WWW.X-SHUN.COM EMAIL:SALES@X-SHUN.COM	

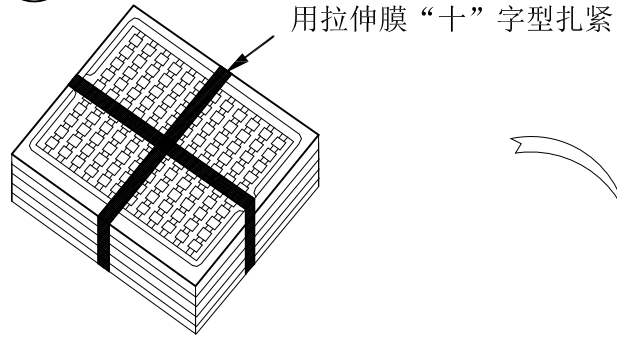
RoHS compliant

1



每吸塑盒放120PCS产品

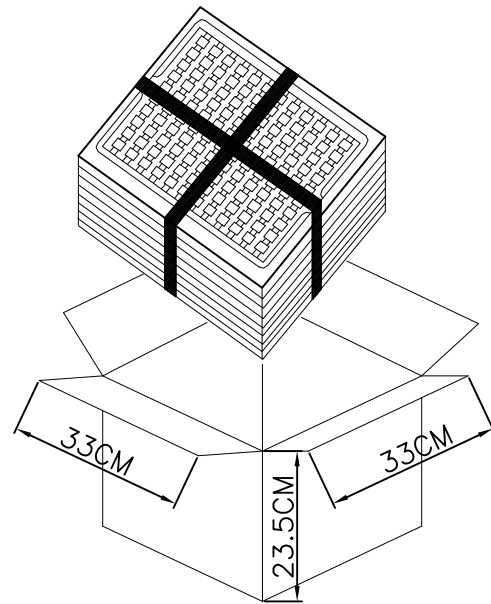
2



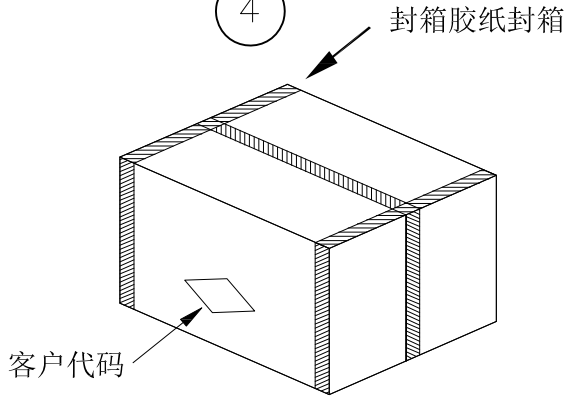
5吸塑盒为一叠


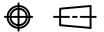
3

每箱放10盒吸塑盒，
(共10盒1200PCS产品)



4



				GENERAL TOLERANCE		DRAWN		Gene Li		2025/02/07		 东莞市祥舜电子科技有限公司 DONGGUAN X-SHUN ELECTRONIC TECHNOLOGY CO., LTD					
				.X	±0.35	X.°	± 2°	CHECKE						PART NO. 20112E-111A-F102			
A0				NEW DESIGN		2025/02/07		APPROVE				TITLE: RJ45 TAB-DOWN 2.5G BASE 1X1 W/LED W/SHIELD					
REV	ECN NO	DESCRIPTION	DATE	SIGNATURE	PROJECT			UNIT	mm	SCALE	1:1	SHEET	3/3	REV	A0	WEB:WWW.X-SHUN.COM EMAIL:SALES@X-SHUN.COM	